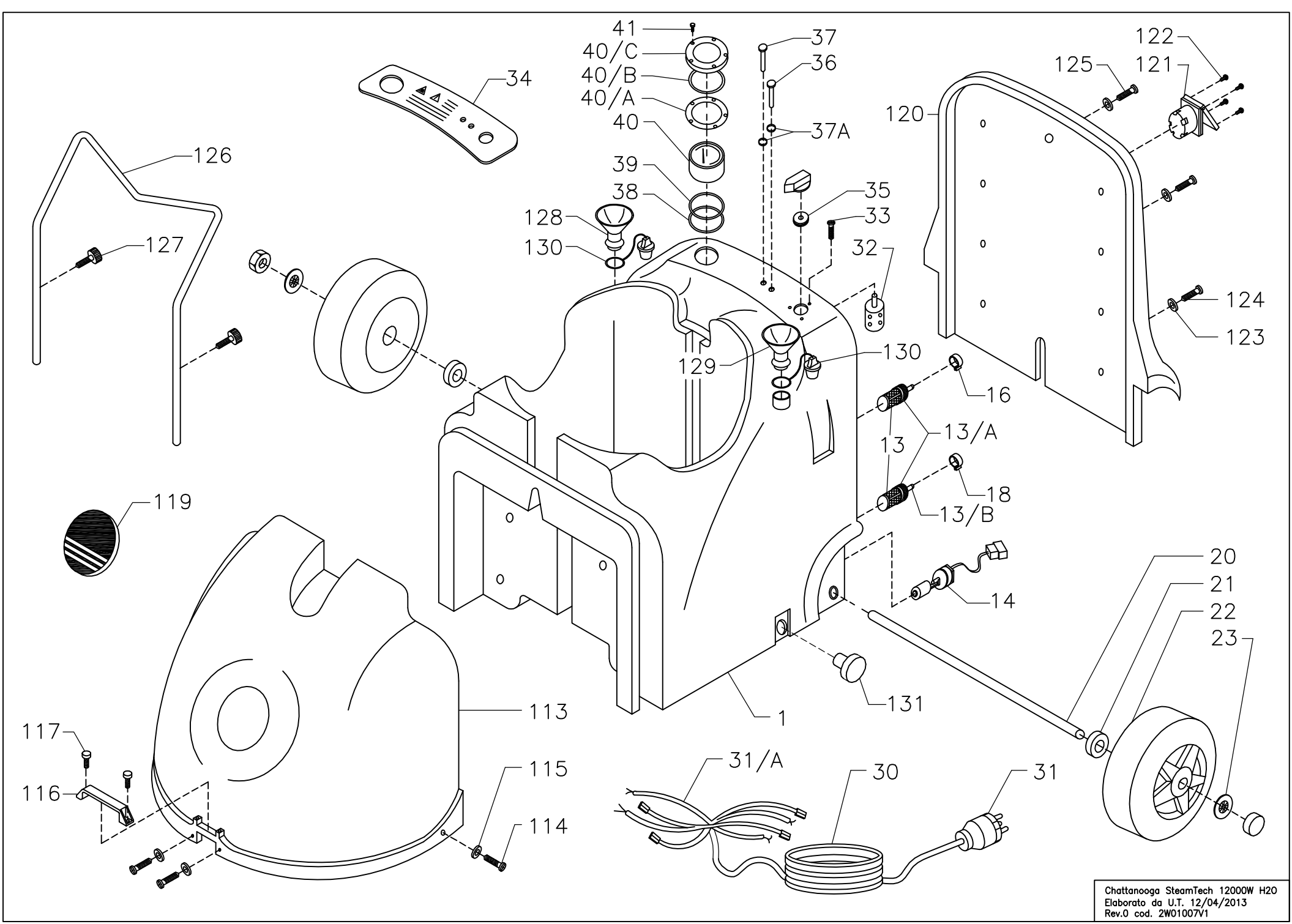
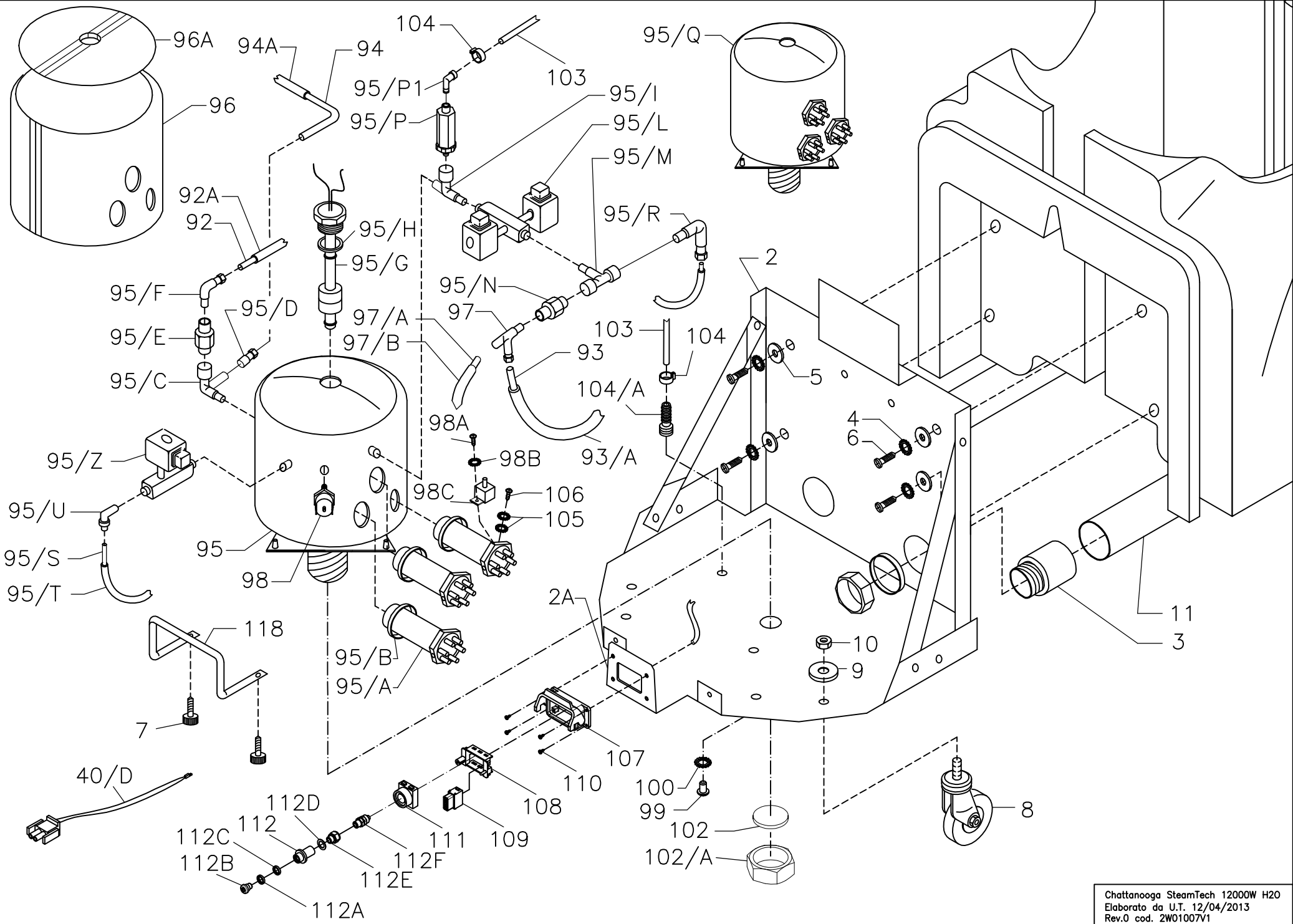
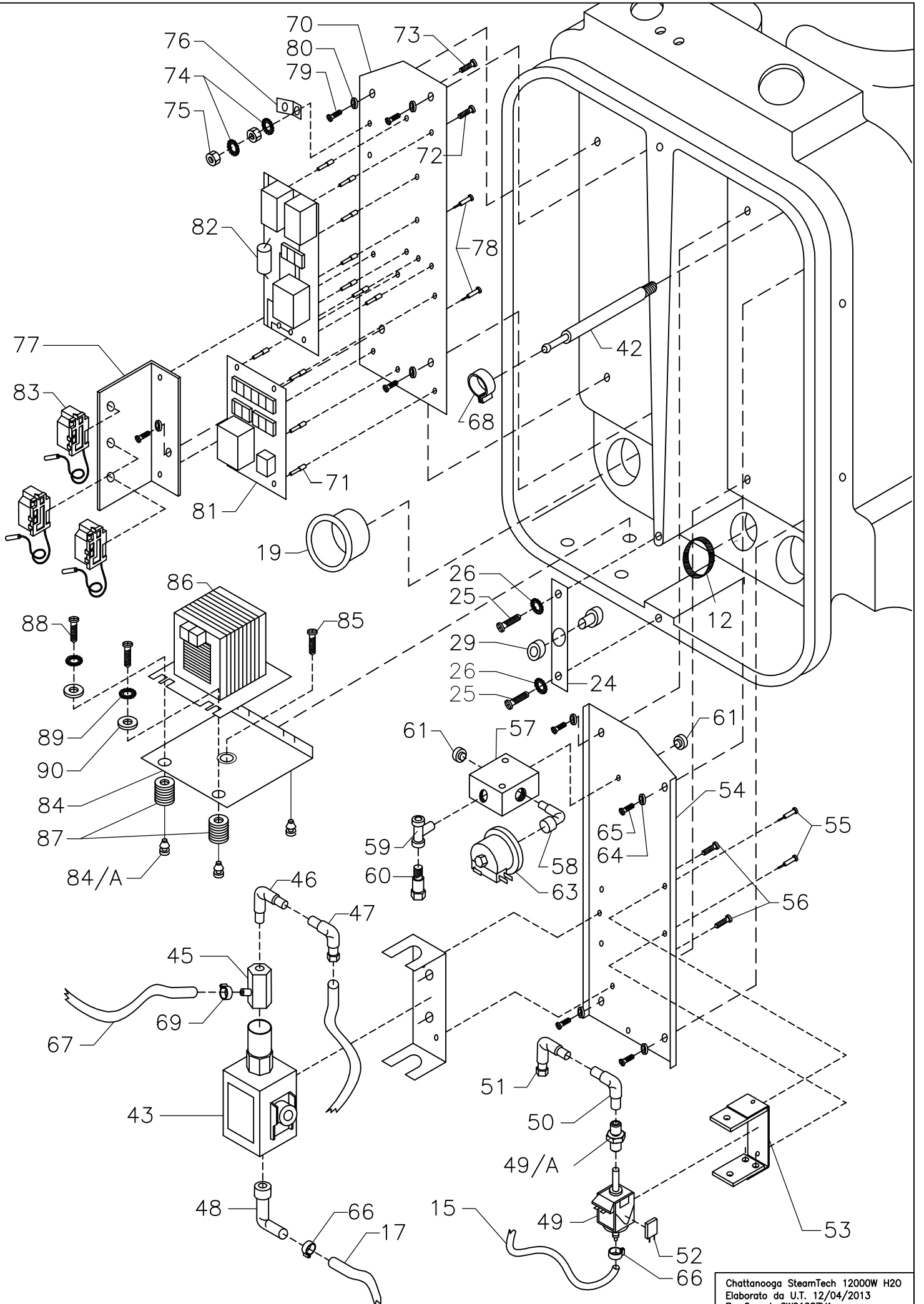


Chattanooga SteamTech 12000W H2O  
 Elaborato da U.T. 27/11/2012  
 Rev.1 cod. 2W01007V1







CH. STEAM TECH 12000 10800W 400V 3~ H<sub>2</sub>O cod. 2W01007V1 REV.0 12/04/13

Pos.	CODICE	Q.tà	DENOMINAZIONE	DENOMINATION
1	CA1181	1	GRUPPO CENTR. SERBAT. BLU	BLUE TANK GROUP
2	RA3085V2	1	STAFFA ANT. CALDAIA-RUOTE	MOUNT BASE
2A	RA31077	1	STAFFA ATTAC.A/B TEMP USCITA VAP.S/T.	MOUNT BASE
3	PP0007	2	RACCORDO TUBO SCATOLA Ø50	FITTING
4	VI7311	4	RONDELLA DENTELLATA Ø10	WASHER Ø10
5	VI7313	4	RONDELLA GREMB. ZN 10X30	WASHER ZN 10X30
6	VI7125	4	VITE M10X20 STEAM TECH	SCREW M10X20
7	PG5032	2	VOLANTINO TMP V1/30/V-M6X20	HAND WHEEL SCREW
8	PG5409	2	RUOTA Ø100 10MAX15 GIREV.	WHEEL Ø100 MAX15
9	VI7313	2	RONDELLA GREMB. ZN 10X30	WASHER ZN 10X30
10	VI7225	2	DADO AUTOBLOK M10	NUT
11	PG5345	mt 0.428	TUBO ELETTRICO Ø50 (S/TECH)	HOSE Ø50
12	PG5145	2	GUARNIZ. TUBI. PASS. EL./IDR.	GASKET
13	FL9000	2	FILTRO DET/ACQ STEAM TECH	NUT M10
13/A	RA3070	2	RIDUZIONE PER PORTAGOMMA	REDUCTION FOR TUBE COUPLER
13/B	RA3020	2	PORTAGOMMA 7 x1/8"	TUBE COUPLER 7X1/8"
14	PE2327	1	INTERR. REED GALLEGG. ORIZZ.	REED SWITCH HORIZONTAL FLOAT
15	PG5365	mt 0.35	TUBO PVC TRASPARENTE 6X9	PVC HOSE 6X9
16	PG5247	1	FASCETTA BIFILARE 9.8-10.4	CLAMP 9.8-10.4
17	PG5365	mt 0.6	TUBO PVC TRASPARENTE 6X9	PVC HOSE 6X9
18	PG5247	1	FASCETTA BIFILARE 9.8-10.4	CLAMP 9.8-10.4
19	PP0005	2	TAPPO VANO EL./IDR. S/TECH	CAP
20	RA3090	1	PERNO RUOTA STEAM TECH	WHEEL AXLE
21	RA3091	2	SPESSORE PERNO-RUOTA	WHEEL AXLE BLOCK
22	PG5416	2	RUOTA POSTERIORE S/TECH	WHEEL
23	PG5245	2	COLLARE ELAST. FERMO RUOTA	ELASTIC COLLAR FOR WHEEL
24	RA3094	1	STAFFA CAVO ALIMENTAZIONE	MOUNT BASE
25	VI7188	2	VITE TCB TC M6X10 UNI7687	SCREW M6X10
26	VI7303	2	RONDELLA DENTELLATA ZN Ø6	WASHER ZN Ø6
29	PE23612	1	PRESSACAVO OTT/NIC PG16 + GHIERA	CABLE PRESS
30	PE2096K	1	CAVO DI ALIMENTAZIONE	POWER CABLE
31	PE1999	1	SPINA 3P+T 400V ROSSA	RED PLUG 3P+T 400V
31/A	PE20967	1	CABLAGGIO INTEGRATIVO X STEAM TECH	INTEGRATIVE WIRING
32	PE2270	1	COMMUTATORE 20A 400V	COMMUTATOR
33	VI7164	3	VITE AUTOFIL.2.9X13 T.S.P T.C.	SCREW 2.9X13
34	AD9020	1	ADESIVO SERIG. PANN. COM.	STICKER COMAND PANEL
35	PG5308	1	PASSATUBO ELIS	MOUTHPIECE
36	PE22257	1	SPIA LUM. SERIG. VERDE FAST.	GREEN CONTROL LIGHT
37	PE22197	1	SPIA LUM. SERIG. ROSSA FAST.	RED CONTROL LIGHT
37A	PG5106	2	OR 9.25X1.78 NBR GRIGIO	O-RING 34.65X1.78
38	PG5123	1	OR 29,82X2,62 SILICONE ROSSO	O-RING
39	PG51237	1	OR 3193 Ø48,89X2,62 MANOMETRO	O-RING
40	PE24017	1	MANOMETRO/CONTAORE COMPLETO 10bar	PRESSURE GAUGE/HOUR COUNTER
40/A	RA30807V1	1	STAFFA SUPPORTO TERMOMETRO DIGITALE	MOUNT BASE
40/B	PG5115	1	OR 34.65X1.78 NBR NERO	O-RING 34.65X1.78
40/C	1200117V1	1	CORNICE TERMOMETRO DIGITALE NERA	MOUNT BASE
40/D	PE24517	1	SONDA NTC 10K CAVI L.600 PTFE ±3% COMPL	SONDE
41	VI7105	5	RONDELLA GREMBIULINA ZN8X24	WASHER
42	510303	1	TUBO COLLEG. INT. CORTO	HOSE
43	PE2046	1	POMPA ET3000 3/8"FF	PUMP ET3000 3/8F
45	PE2425	1	DEAREATORE POMPA ET3000	BLEEDER VALVE FOR PUMP
46	RA30442	1	RACCORDO GOMITO 3/8"M-1/8"F	ELBOW FITTING
47	RA3105	1	RACCORDO GOMITO 8X6-1/8"M	ELBOW FITTING
48	RA30372	1	PORTAGOMMA 3/8"MASCHIO 90°	ELBOW TUBE COUPLER
49	PE2404	1	POMPA ET500P-1/8"F NBR 230/50	PUMP ET500
49/A	RA30249	1	RACCORDO DIRITTO 1/8"Gm-1/8"Gm	STRAIGHT VALVE
50	RA31475	1	RACCORDO GOMITO 1/8"F-1/8"F	ELBOW FITTING
51	RA3104	1	RACCORDO GOMITO 6X4-1/8"M	ELBOW FITTING
52	PE2408	1	TERMOPROTETTORE 100° C	THERMAL CUT OUT 100° C
53	RA3056	1	STAFFA SUPPORTO POMPA	MOUNT BASE
54	RA3093	1	STAFFA GRUPPO POMPE	MOUNT BASE
55	VI7022	2	RIVETTO ALL. ZN NERO Ø4X12	RIVET
56	VI7188	2	VITE TCB T. CROCE ZN M6X10	SCREW ZN M6X10
57	RA3089	1	BLOCCHETTO 4 VIE PRESSOST.	"4 WAY" CONNECTOR
58	RA30724	1	RIDUZIONE ¼" 1/8"	REDUCTOR 1/4" 1/8"
59	RA3132	1	RACC. A T 1/8"FX1/8"MX1/8"F	ELBOW FITTING
60	RA3186	1	RACC. DRIT. 1/8"M OGIVA Ø4	STRAIGHT FITTING

61	RA3168	2	TAPPO PER RACCORDO 1/8" M	CAP FOR STRAIGHT FITTING
63	PE2420	1	PRESSOST. 16A 250V 9-15 Bar	PRESSURE SWITCH 9-15 Bar
64	VI7316	4	ROND. GREMB. 6X16	WASHER 6X16
65	VI7041	4	VITE 5X10	SCREW 5X10
66	PG5247	2	FASCETTA BIFIL.9.8-10.4	CLAMP 9.8-10.4
67	PG5365	mt 0.35	TUBO PVC TRASPARENTE 6X9	PVC HOSE 6X9
68	PG5247	1	FASCETTA BIFIL.9.8-10.4	CLAMP 9.8-10.4
69	PG5246	1	FASCETTA BIFIL. 10.4-11	CLAMP 10.4-11
70	RA3092	1	STAFFA GRUPPO SCHEDE	MOUNT BASE
71	PG5064	9	DISTANZIATORE IN PLASTICA	PLASTIC SPACER
72	VI7148	9	VITE 4.8 MET. ZN TC TC 3X8	SCREW 4.8 ZN 3X8
73	VI7157	2	VITE 4.8 MET. ZN TC 4X16	SCREW 4.8 ZN 4X16
74	VI7318	4	RONDELLA DENTELLATA Ø4	WASHER Ø4
75	VI7212	4	DADO ZINCATO Ø4	NUT ZN Ø4
76	PE2370	1	FASTON F 6.3 C/FORO VITE	TERMINAL
77	RA3087	1	STAFFA SUPP. TERMOSTATI	MOUNT BASE
78	VI7022	2	RIVETTO ACCIAIO 4X12	RIVET
79	VI7041	4	VITE 5X10	SCREW 5X10
80	VI7316	4	RONDELLA GREMB. 6X16	WASHER 6X16
81	PE2347W	1	SCHEDA CIRC. ELETR. TVAP20	ELECTRONIC BOARD TVAP20
82	PE2349	1	SCHEDA CONT. POT. TVAP30	ELECTRONIC BOARD TVAP30
83	PE20475	3	TERMOSTATO BULBO 230° R.A. CAP.L.1.500	RESET CONTROL THERM.
84	RA3088	1	STAFFA S/TRASFORMATORE	MOUNT BASE
84/A	PG5005	4	GOMMINO NERO BASE INF. TRESOR	RUBBER STOPPER BOTTOM COVER
85	VI7188	1	VITE TCB T.C. ZN M6X10	SCREW ZN M6X10
86	PE2051	1	AUTOTRASF. 1200W 400/230V	TRANSFORMER 400/230V
87	VI7316	9	RONDELLA GREMB. 6X16 ZN	WASHER ZN 6X16
88	VI7149	2	VITE8.8 ZN 6X20	SCREW 8.8 ZN 6X20
89	VI7303	2	RONDELLA DENT. ZN Ø6	WASHER ZN Ø6
90	VI7316	2	ROND. GREMB. 6X16 ZN SP.1.5	WASHER ZN 6X16
92	RA3201	mt 0.93	TUBO TEFLON Ø6X8	HOSE
92/A	PG5360	mt 0.83	TUBO EPDM 12X15 (S/TECH)	HOSE
93	RA3209	mt 1.35	TUBO TEFLON Ø6X4	HOSE
93/A	PG5338	mt 1.15	TUBO EPDM NERO Ø 7X10	HOSE
94	RA3210	mt 0.97	TUBO TEFLON Ø4X2	HOSE
94/A	PG5338	mt 0.87	TUBO EPDM NERO Ø 7X10	HOSE
95	9900457	1	CALDAIA CON RESISTENZE	BOILER
95/A	PE25226	3	RESISTENZA 3600W 230V	HEATING ELEMENT
95/B	PG51396	3	GUARNIZIONE RAME Ø42x50x1.5	COPPER GASKET Ø 42X50X1,5
95/C	RA30803	1	RACCORDO 75° 1/8FX1/8FX1/8M	ELBOW VALVE
95/D	RA3186	1	RACCORDO DRITTO 1/8 C/OGIVA	STRAIGHT VALVE
95/E	RA3408	1	VALVOLA N/RITORNO MM MOLLA DURA	NON RETURN VALVE
95/F	RA3167	1	RACCORDO GOMITO 6X8-1/8F	ELBOW VALVE
95/G	RA33274	1	TAP. OTTONE C/SONDA 190mm+SIC.15bar	BRASS CAP +PROBE
95/H	PG51033	1	GUARNIZ. TEFLON Ø33.5X40X2	GASKET
95/I	RA31035	1	RACCORDO A T 1/8" F X 1/8" F X 1/8" M	3-WAYS VALVE 1/8FFM
95/L	PE2337	1	ELETTROV. 6650+2 BOBINE 230V	SOLENOID VALVE DOUBLE OUTLET
95/M	RA3132	1	RACCORDO A T 1/8F X1/8MX1/8F	3-WAYS VALVE
95/N	RA3409	1	VALV. N/RIT. MM MOLLA DEBOLE	NON RETURN VALVE
95/P	RA3406	1	VALVOLA 1/8" M 12 Bar PGØ9	PRESSURE VALVE 7.5 Bar
95/P1	RA30372	1	RACCORDO GOMITO 3/8M PG Ø7	ELBOW VALVE
95/Q	09027W7	1	CALDAIA COMPLETA S/TECH 12K	COMPLETE BOILER
95/R	RA3105	1	RACCORDO GOMITO 6X8 - 1/8" M	ELBOW VALVE 6X8 1/8M
95/S	RA3201	mt 0.275	TUBO TEFLON Ø 6X8	HOSE
95/T	PG5360	mt 0.18	TUBO EPDM NERO Ø 12X15	HOSE
95/U	RA3105	1	RACCORDO GOMITO 6X8 - 1/8" M	ELBOW VALVE 6X8 1/8M
95/Z	PE2329	1	ELETTROV. 6611 + BOBINA B6 230V	SOLENOID VALVE OUTLET
96	IS40204	1	ISOLANTE CALDAIA S/BOX PROF.	BOILER INSULATION
96A	IS40208	1	ISOLANTE X FONDELLO CALDAIA Ø163,8	BOILER INSULATION
97	RA30243	1	RACCORDO MISC. 6X4 1/8FX6X8 90°	Y-VALVE 1/8"FX1/8" F 6X4
97/A	RA3201	mt 0.38	TUBO TEFLON Ø6X8	HOSE
97/B	PG5360	mt 0.3	TUBO EPDM 12X15 (S/TECH)	HOSE
98	PE2334	1	TERMOSTATO 175° C RIPRIST.	RESET THERMOSTAT
98A	VI7130	1	VITE AUT. NIC. TC TC 3,5X9,5	SCREW
98B	VI7318	1	RONDELLA DENTELLATA M4	WASHER
98C	PE23447	1	TERMOSTATO 235°C R.A. 16A	THERMOSTAT
99	85120230	3	VITE TBEI ISO 7380 M6X16 INOX	SCREW
100	VI73036	3	RONDELLA DENTELLATA INOX M6	WASHER
102	PG52074	1	GUARNIZIONE SILICONE Ø50 SP.4(REV.2)	EPDM GASKET Ø 45
102/A	RA31634	1	TAPPO DRENAGGIO 1 1/2" F	BOILER DRAIN CAP 1 1/2" F
103	PG53015	mt 0.33	TUBO SILICONE TELATO INOX Ø5X11	HOSE

104	PG5209	2	FASCETTA STRIK MONO.9 -11	SINGLE EAR CLAMP
104/A	RA3020	1	PORTAGOMMA 7 X1/8 MASCHIO	TUBE COUPLER
105	VI7318	2	ROND. DENTELLATA Ø4	WASHER Ø4
106	VI7152	1	VITE AUTOF. CR. NERA 3.5X9.5	SCREW CR. 3.5X9.5
107	PE30045	1	CUSTODIA DA PANNELLO	CONNECTOR COVER W/ SNAP
108	PE30015	1	TELAIO INCERNERATO	FRAME FOR 3 CONNECTORS
109	PE30035	1	FRUTTO 1 MODULO	CONNECTOR FOR 12P CONTACT
110	VI7152	4	VITE AUTOF.CR. NERA 3.5X9.5	SCREW 3,5X9,5
111	PP00195	1	BLOCCHETTO ISOLANTE	INSULATION BLOCK FOR NOZZLE
112	7200124	1	ATTACCO PER UGELLO MASCHIO	COUPLER FOR MALE NOZZLE
112/A	PG51004	1	GUARNIZIONE TEFLON+OR	TEFLON GASKET
112/B	7200134	1	UGELLO MASCHIO M8	MALE NOZZLE M8X1 M
112/C	PG51428	1	OR 2037 9,25 X 1,78 FLUORAZ	O-RING 9,25 X 1,78
112/D	VI7339	1	RONDELLA DI SPESSORAMENTO	WASHER 10X16X0,5
112/E	RA3142	1	RACCORDO DIRITTO 1/8F x 1/8m	STRAIGHT VALVE 1/8"FX1/8"M
112/F	RA3183	1	RACCORDO DIRITTO 6x8 1/8m	STRAIGHT VALVE 6X8 1/8"M
113	CA11827	1	COFANO ANTERIORE BLU 7LT.	BLUE FRONT BODY
114	VI7190	4	VITE M6X55 ZN "BUTTON HEAD"	SCREW M6X55 ZN "BUTTON HEAD"
115	VI7316	4	ROND. GREMB.6X16 ZN SP.1.5	WASHER ZN 6X16
116	010120	1	MANIGLIA PER COFANO ANT.	FRONT HANDLE
117	VI7056	2	VITE 6X16 "BUTTON HEAD"	SCREW 6X16 "BUTTON HEAD"
118	CA1192	1	MANIGLIA FERRO BASE	CARRYING HANDLE
119	AD9030V1	1	ADESIVO STEAM TECH COFANO ANT	ROUND STICKER STEAM TECH
120	CA1180	1	CARTER POSTERIORE BLU	BLUE BACK PART BODY
121	PE2133	1	PRESA 10-16A 250V C/S SCHUKO	ELECTRIC SOCKET 16A 250V
122	VI7105	4	VITE RAPID-FIX ZN TC 3.9X16	SCREW ZN 3.9X16
123	VI7316	5	ROND. GREMB. 6X16 ZN SP.1.5	WASHER 6X16
124	VI7190	4	VITE M6X55 ZN "BUTTON HEAD"	SCREW M6X55 "BUTTON HEAD"
125	VI70572	1	VITE ZN 6X25 "BUTTON HEAD"	SCREW 6X25 "BUTTON HEAD"
126	CA1190	1	MANIGLIONE PER STEAM TECH	HANDLE BAR STEAM TECH
127	PG5061	2	VOLANTINO M6X30	HANDLE WHEEL SCREW
128	PG5069B	1	IMBUTO FIL. GOMMA BLU	THREADED FUNNEL
129	PG5069G	1	IMBUTO FIL. GOMMA GIALLO	THREADED FUNNEL
130	RA3324	2	TAPPO PER IMBUTO EPDM	FUNNEL CAP
131	RA3340	2	TAPPO DRENAGGIO SERBATOI	DRAIN CAP