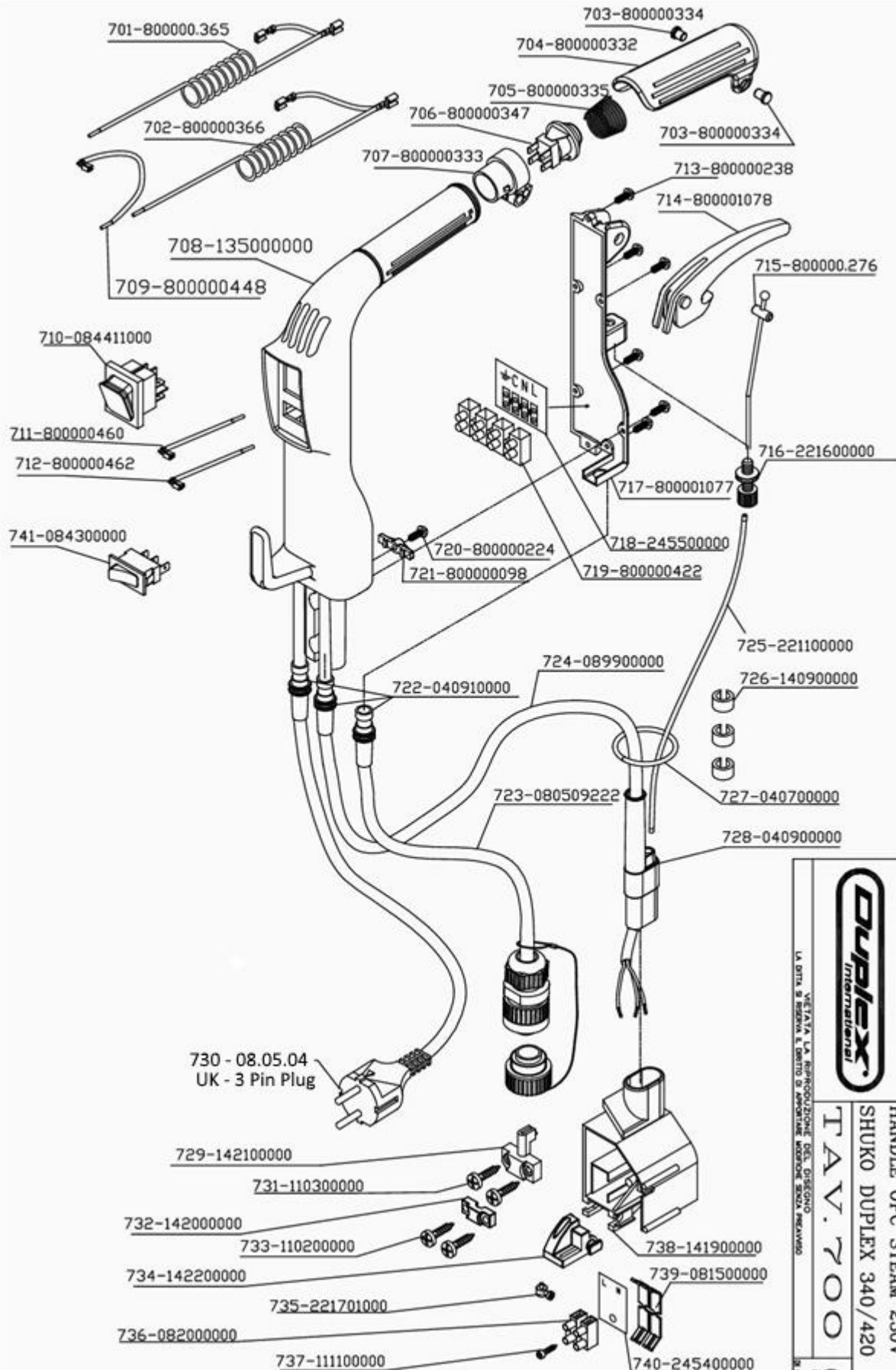


Table 700 012017

Model 420 STM 2017



  
 LA DITTA È SENSIBILE AL DIRITTO DI APPLICAZIONE MERKANTILE SECONDO L'ART. 2063 DEL CODICE DI PROCEDURA PENALE  
 VETIVA L.A. RAPPRESENTAZIONE GEN. DISTRIBUZIONE  
 SHUKO DUPLEX 340/420  
 TAV. 700 01  
 HANDLE OPC STEAM 230V  
 LANCIA  
 2017

**Model 420 STM  
2017**

**Table 700 012017**

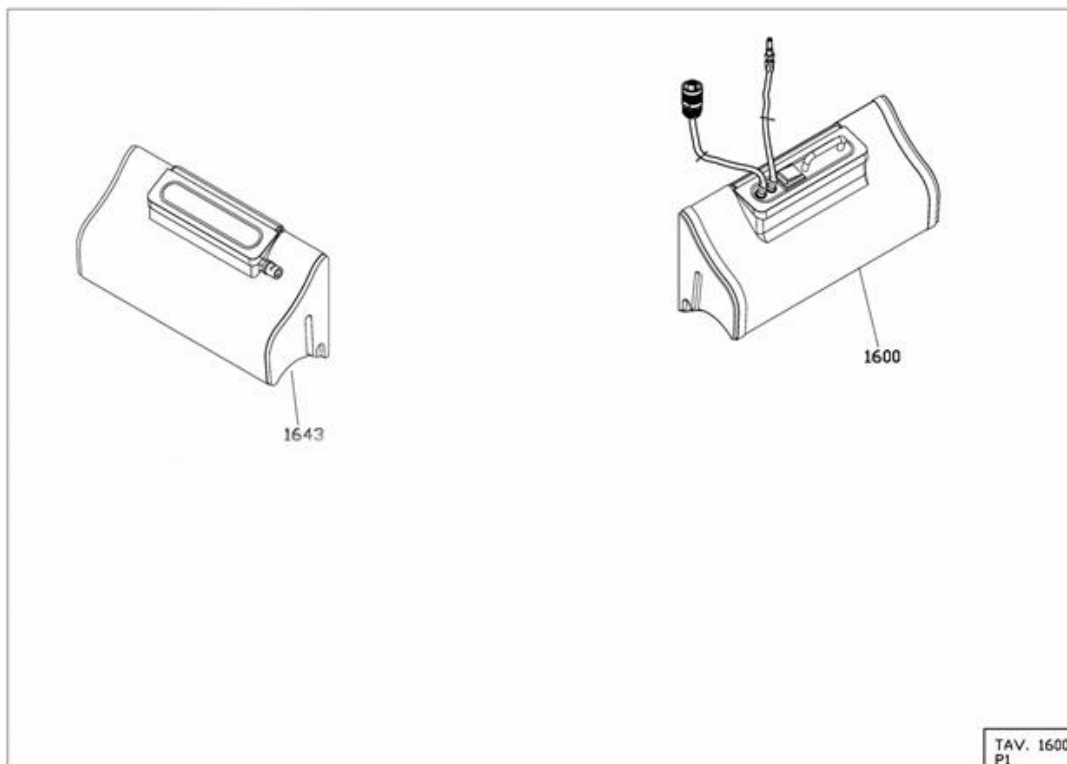
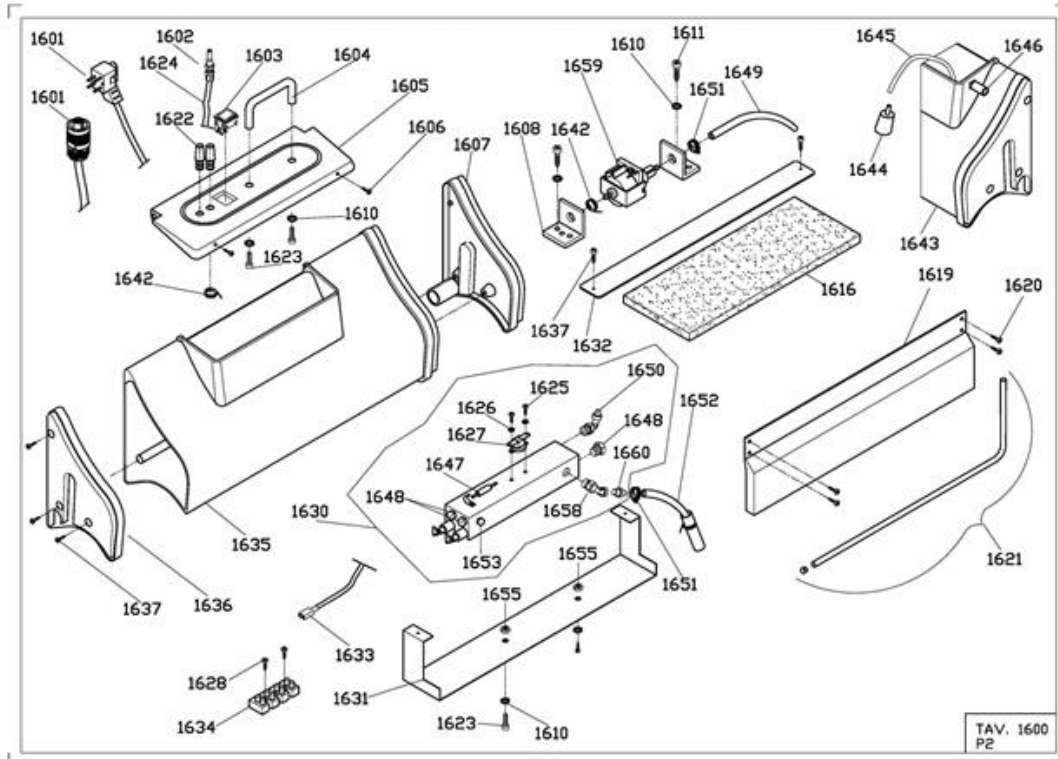
Pos.	Article Code	Description	
701	80.00.00.365	WIRE FOR RED SWITCH, SHORT	
702	80.00.00.366	WIRE FOR RED SWITCH, LONG	
703	80.00.00.334	JOINT PIN OPC	
704	80.00.00.332	OPERATING SAFETY LEVER	
705	80.00.00.335	RETURN SPRING FOR OPC GRIP	
706	80.00.00.347	PUSH BUTTON DOUBLE POLE 12A	
707	80.00.00.333	SWITCH SLEEVE	
708	13.50.00.000	BLACK HANDLE OPC 340-420-620	
709	80.00.00.448	SHORT CABLE TO TERMINAL BLOCK	
710	08.44.11.000	RED POWER SWITCH	
711	80.00.00.460	SHORT BLUE WIRE TO SWITCH	
712	80.00.00.462	SHORT BROWN WIRE TO SWITCH	
713	80.00.00.238	SCREW CROSSHEAD 2,9X16	
714	80.00.01.078	FLUID RELEASE TRIGGER 280	
715	80.00.00.276	WIRE CLAMP WITH SCREW	
716	22.16.00.000	CABLE TENSIONER WITH ADJ SCREW	
717	80.00.01.077	BLACK COVER FOR HANDLE	
718	24.55.00.000	WIRING LABEL 280	
719	80.00.00.422	TERMINAL BLOCK 4 POLES	
720	80.00.00.224	SCREW TCB 3,9X16	
721	80.00.00.098	CABLE CLAMP FOR HANDLE	
722	04.09.10.000	BLACK GROMMET 11078.1.2 PVC	
723	08.05.09.222	CONNECTOR CABLE (FEMALE) TO STEAM GEN	
724	08.99.00.000	POWER CABLE TO MACHINE 3 x 1.5mm	
725	22.11.00.000	BOWDEN CABLE	
726	14.09.00.000	CABLE TIES	
727	04.07.00.000	O RING (LARGE)	
728	04.09.00.000	DOUBLE GROMMET	
729	14.21.00.000	CABLE STAY	
730	08.05.04	CABLE AND PLUG 10M 3 x 1.5MM	
731	11.03.00.000	TC SCREW 4,2X16 ZINC	

**Table 700 012017****Model 420 STM 2017**

Pos.	Article Code	Description	
732	14.20.00.000	CABLE CLAMP	
733	11.02.00.000	TC SCREW 4,2X13 ZINC	
734	14.22.00.000	ARTICULATED LEVER FOR BOWDEN CABLE	
735	22.17.01.000	CABLE FIXING PIN FOR SHEATH	
736	08.20.00.000	DOUBLE POLE TERMINAL BLOCK	
737	11.11.00.000	SCREW FOR THERMINAL BLOCK	
738	14.19.00.000	FAIRLEAD SUPPORT	
739	08.15.00.000	CABLE CLAMP	
740	24.54.00.000	LABEL LIVE/NEUTRAL	
741	08.43.00.000	SWITCH FOR PUMP 16 A 250V	

**Table 160001 112017**

**Model 420 STM 2017**



**Table 160001 112017**
**Model 420 STM 2017**

Pos.	Article Code	Description	Price
1600	42.04.96.558	BOILER TANK 420 230V 50/60HZ OPC (ROUND PLUG)	
1601	08.45.00.000	CABLE W/SQUARE PLUG ( MALE)	
1601	08.05.10.222	CABLE W/ROUND PLUG (MALE)	
1602	15.21.00.000	MALE CONNECTOR	
1603	08.44.11.000	RED SWITCH	
1604	11.50.00.222	BLACK HANDLE FOR TANK	
1605	17.01.10.200	BLACK COVER FOR TANK	
1606	11.05.00.000	SCREW CR TSP INOX 2.9x13 ZN	
1607	12.51.10.000	END PLATE LEFT FOR TANK STEAM	
1608	04.31.00.000	ANTIVIBRATION DEVICE FOR PUMP	
1610	11.03.00.020	WASHER 4X12 ZN	
1611	11.23.00.000	TC SCREW 4X10 ZINC	
1616	04.68.00.000	THERMAL INSULATION 420	
1619	20.42.20.222	S. STEEL SIDE PLATE STEAM TANK 420	
1620	11.03.00.000	TC SCREW 4,2X16 ZINC	
1621	20.42.55.000	STEAM OUTLET PIPE D420	
1622	04.09.10.000	BLACK GROMMET 11078.1.2 PVC	
1623	11.23.00.000	TC SCREW 4X10 ZINC	
1624	04.30.10.000	RUBBER TUBE 55CM WATER INLET	
1625	11.48.00.000	TC SCREW 3x6	
1626	11.48.66.000	WASHER D.3	
1627	08.61.00.000	THERMAL LIMIT-SWITCH	
1628	11.11.00.000	SCREW FOR THERMINAL BLOCK	
1630	08.40.00.220	STEAM GENERATOR COMPLETE 1000W 230V	
1631	20.42.77.000	STEEL SUPPORT FRAME D420	
1632	20.42.66.000	SUPPORT FOR PUMP D420	
1633	08.27.00.555	CABLE FOR STEAM GENERATOR	
1634	08.19.44.000	4 PIN TERMINAL BLOCK	
1635	12.55.21.000	BOILER TANK BODY 420	
1636	12.50.10.000	END PLATE RIGHT STEAM TANK	

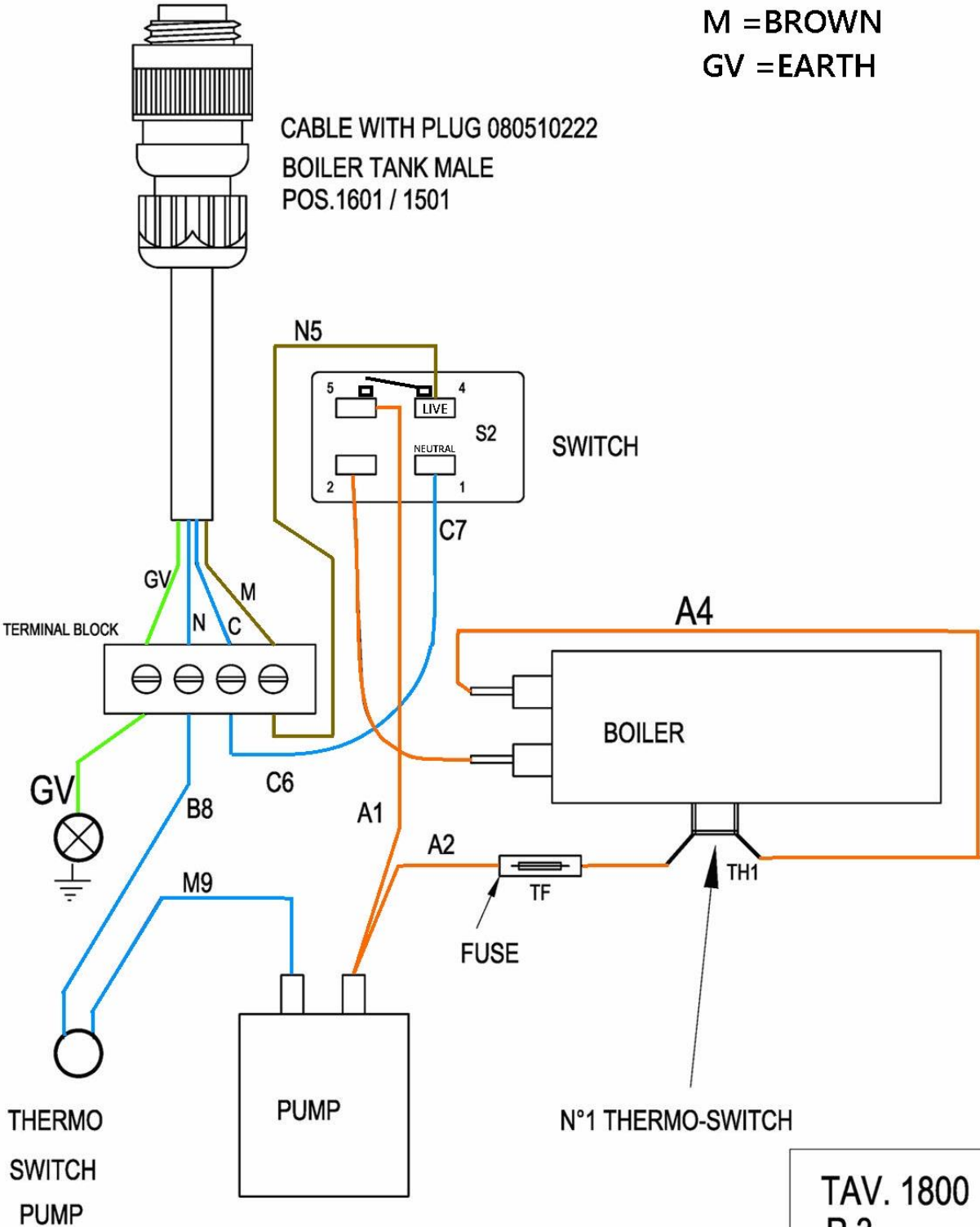
**Table 160001 112017**

**Model 420 STM 2017**

Pos.	Article Code	Description	
1637	11.03.00.000	TC SCREW 4,2X16 ZINC	
1642	04.37.00.000	NYLON CABLE TIE 2,4x60	
1643	12.55.22.000	CLEAN WATER TANK 420 WITH FILTER	
1644	45.60.30.000	FILTER FOR WATER TANK (REPLACE ANNUALLY)	
1645	04.33.00.200	SILICON TUBE FOR FILTER 24CM	
1646	15.20.00.000	FEMALE WATER OUTLET	
1647	08.62.00.000	NON-RESETTING THERMO CUT-OUT	
1648	15.34.00.000	SCREW CAP 1/4	
1649	04.33.11.999	OUTLET TUBE FOR PUMP 4X6	
1650	15.54.99.000	ELBOW WITH BUSH 4X6 1/4	
1651	04.37.88.000	CLAMP 6/8	
1652	04.33.11.888	TUBE TEFLON4X6 W/CLAMP AND SILICON TUBE	
1653	15.34.11.000	CAP 1/8"	
1655	11.59.30.000	NUT M5 FOR BOILER	
1658	15.39.00.000	ARTICULATED ELBOW FOR VALVE T/D 1/8"	
1659	08.41.00.000	PUMP 220/240V 16W	
1660	15.54.77.888	VALVE ASSEMBLED (STEAM OUTLET)	

# BOILER TANK WIRE CONNECTION

- N = BLACK
- C = LIGHT BLUE
- B = WHITE
- A = ORANGE
- M = BROWN
- GV = EARTH



TAV. 1800  
P.3