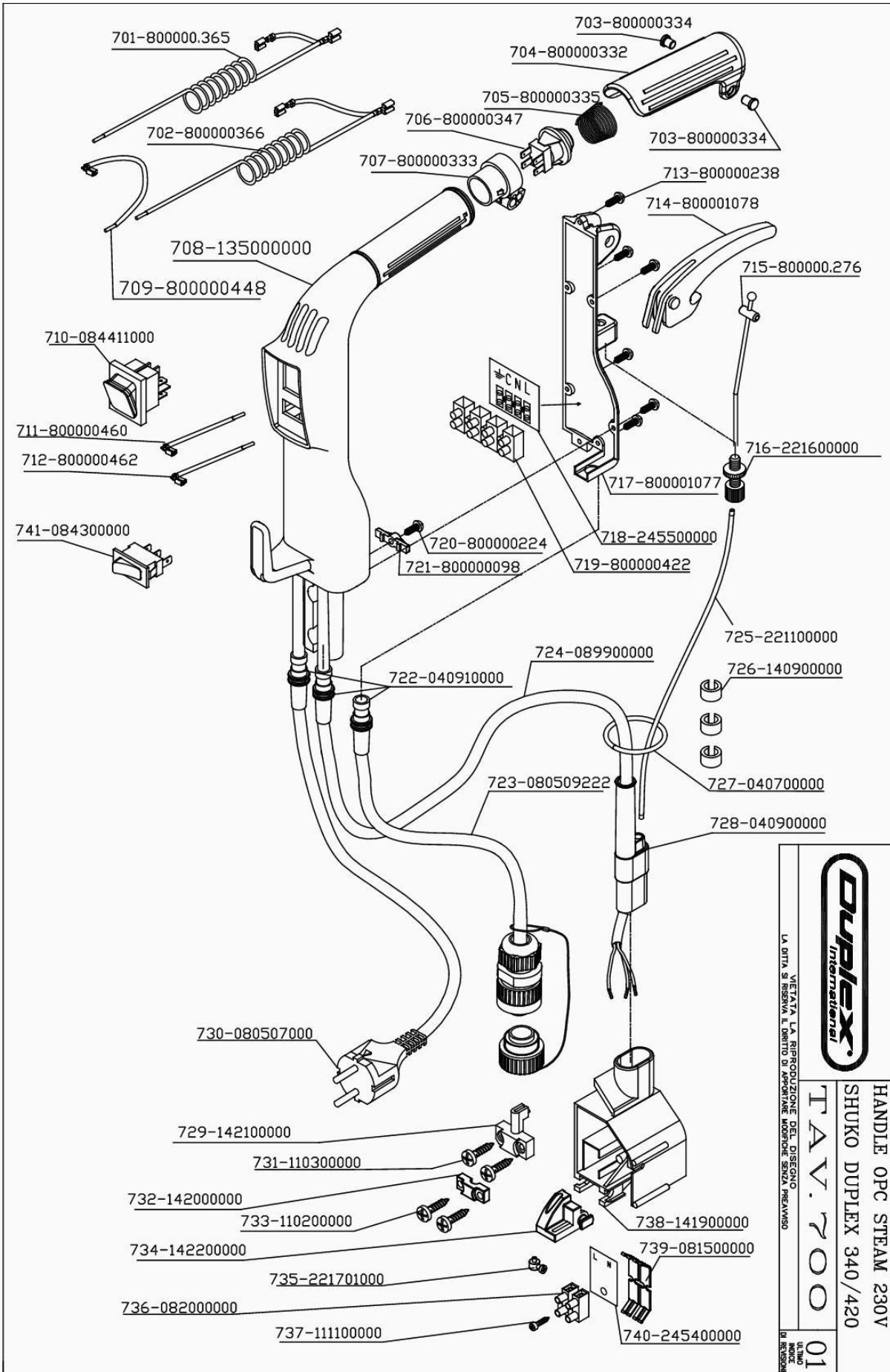


Table 700 012017

Model 340STM 2016




 LA DITTA SI RISERVA IL DIRITTO DI ADOPTARE MODIFICHE SENZA PREAVVISO
 VIETATA LA RIPRODUZIONE DEL DISEGNO
TAV. 700 01
 HANDLE OPC STEAM 230V
 SHUKO DUPLEX 340/420

Table 700 012017

Model 340STM 2016

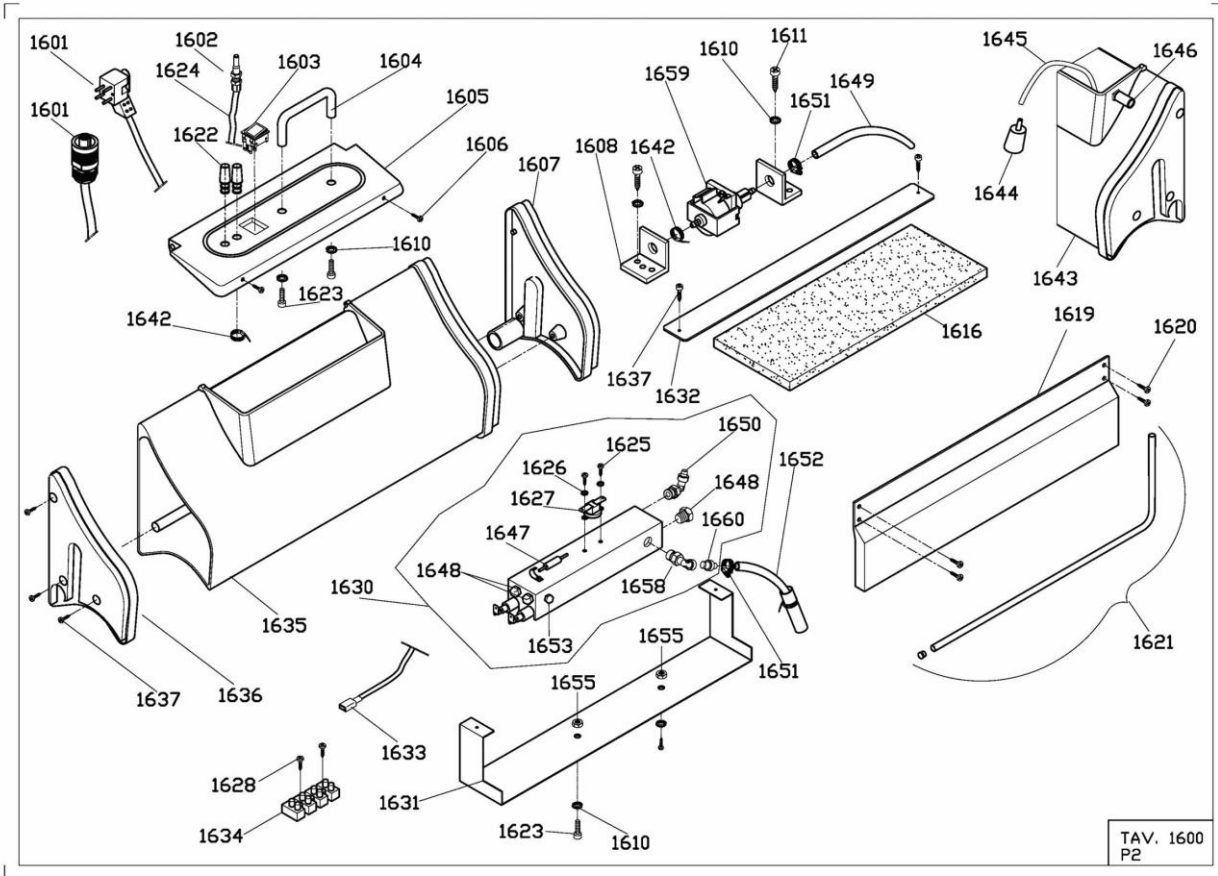
Pos.	Article Code	Description	
701	800000365	WIRE FOR RED SWITCH, SHORT	
702	800000366	WIRE FOR RED SWITCH, LONG	
703	800000334	JOINT PIN OPC	
704	800000332	OPERATING SAFETY LEVER	
705	800000335	RETURN SPRING FOR OPC GRIP	
706	800000347	PUSH BUTTON DOUBLE POLE 12A	
707	800000333	SWITCH SLEEVE	
708	135000000	BLACK HANDLE OPC 340-420-620	
709	800000448	SHORT CABLE TO TERMINAL BLOCK	
710	084411000	RED POWER SWITCH	
711	800000460	SHORT BLUE WIRE TO SWITCH	
712	800000462	SHORT BROWN WIRE TO SWITCH	
713	800000238	SCREW CROSSHEAD 2,9X16	
714	800001078	FLUID RELEASE TRIGGER 280	
715	800000276	WIRE CLAMP WITH SCREW	
716	221600000	CABLE TENSIONER WITH ADJ SCREW	
717	800001077	BLACK COVER FOR HANDLE	
718	245500000	WIRING LABEL 280	
719	800000422	TERMINAL BLOCK 4 POLES	
720	800000224	SCREW TCB 3,9X16	
721	800000098	CABLE CLAMP FOR HANDLE	
722	040910000	BLACK GROMMET 11078.1.2 PVC	
723	080509222	CONNECTOR CABLE (FEMALE) TO STEAM GEN	
724	089900000	POWER CABLE TO MACHINE 3 x 1.5mm	
725	221100000	BOWDEN CABLE	
726	140900000	CABLE TIES	
727	040700000	O RING (LARGE)	
728	040900000	DOUBLE GROMMET	
729	142100000	CABLE STAY	
730	080507000	CABLE AND PLUG 10M 3 x 1.5MM	
731	110300000	TC SCREW 4,2X16 ZINC	

Table 700 012017**Model 340STM 2016**

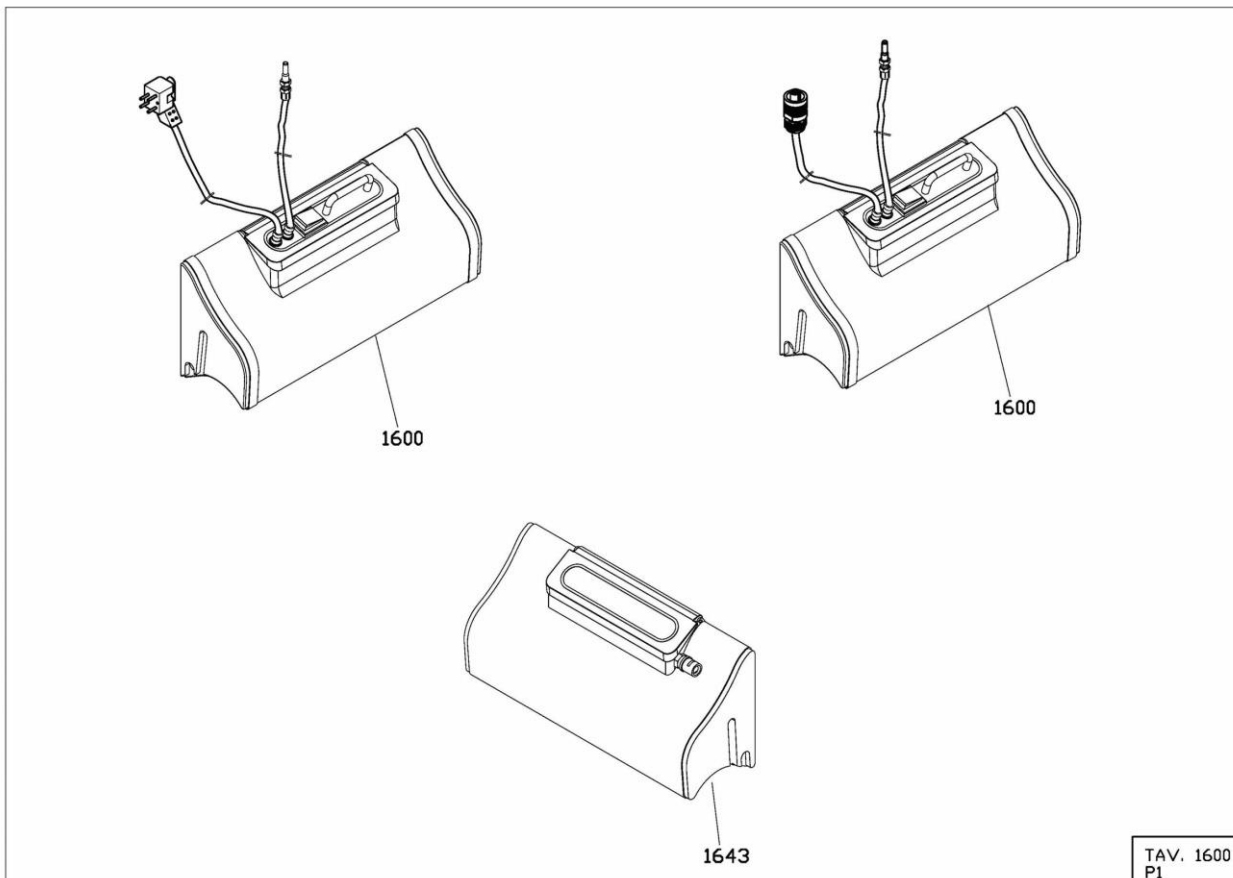
Pos.	Article Code	Description	
732	142000000	CABLE CLAMP	
733	110200000	TC SCREW 4,2X13 ZINC	
734	142200000	ARTICULATED LEVER FOR BOWDEN CABLE	
735	221701000	CABLE FIXING PIN FOR SHEATH	
736	082000000	DOUBLE POLE TERMINAL BLOCK	
737	111100000	SCREW FOR THERMINAL BLOCK	
738	141900000	FAIRLEAD SUPPORT	
739	081500000	CABLE CLAMP	
740	245400000	LABEL LIVE/NEUTRAL	
741	084300000	SWITCH FOR PUMP 16 A 250V	

Table 160001 112016

Model 340STM 2016



TAV. 1600
P2



TAV. 1600
P1

Table 160001 112016
Model 340STM 2016

Pos.	Article Code	Description	
1600	340496556	BOILER TANK 340 230V 50/60HZ (SQUARE PLUG)	
1600	340496557	BOILER TANK 340 230V 50/60HZ (ROUND PLUG)	
1601	084500000	CABLE W/SQUARE PLUG (MALE)	
1601	080510222	CABLE W/ROUND PLUG (MALE)	
1602	152100000	MALE CONNECTOR	
1603	084411000	RED SWITCH	
1604	115000222	BLACK HANDLE FOR TANK	
1605	170110200	BLACK COVER FOR TANK	
1606	110500000	SCREW CR TSP INOX 2.9x13 ZN	
1607	125110000	END PLATE LEFT FOR TANK STEAM	
1608	043100000	ANTIVIBRATION DEVICE FOR PUMP	
1610	110300020	WASHER 4X12 ZN	
1611	112300000	TC SCREW 4X10 ZINC	
1616	046600000	THERMAL INSULATION 340	
1619	203420222	S. STEEL SIDE PLATE STEAM TANK 340	
1620	110300000	TC SCREW 4,2X16 ZINC	
1621	203455000	STEAM OUTLET PIPE D340	
1622	040910000	BLACK GROMMET 11078.1.2 PVC	
1623	112300000	TC SCREW 4X10 ZINC	
1624	043010000	RUBBER TUBE 55CM WATER INLET	
1625	114800000	TC SCREW 3x6	
1626	114866000	WASHER D.3	
1627	086100000	THERMAL LIMIT-SWITCH	
1628	111100000	SCREW FOR THERMINAL BLOCK	
1630	084000220	STEAM GENERATOR COMPLETE 1000W 230V	
1631	203477000	STEEL SUPPORT FRAME D340	
1632	203466000	SUPPORT FOR PUMP D340	
1633	082700555	CABLE FOR STEAM GENERATOR	
1634	081944000	4 PIN TERMINAL BLOCK	
1635	126021000	BOILER TANK BODY 340	
1636	125010000	END PLATE RIGHT STEAM TANK	

Table 160001 112016
Model 340STM 2016

Pos.	Article Code	Description	
1637	110300000	TC SCREW 4,2X16 ZINC	
1642	043700000	NYLON CABLE TIE 2,4x60	
1643	126022000	CLEAN WATER TANK 340 WITH FILTER	
1644	456030000	FILTER FOR WATER TANK (REPLACE ANNUALLY)	
1645	043300200	SILICON TUBE FOR FILTER 24CM	
1646	152000000	FEMALE WATER OUTLET	
1647	086200000	NON-RESETTING THERMO CUT-OUT	
1648	153400000	SCREW CAP 1/4	
1649	043311999	OUTLET TUBE FOR PUMP 4X6	
1650	155499000	ELBOW WITH BUSH 4X6 1/4	
1651	043788000	CLAMP 6/8	
1652	043311888	TUBE TEFLON4X6 W/CLAMP AND SILICON TUBE	
1653	153411000	CAP 1/8"	
1655	115930000	NUT M5 FOR BOILER	
1658	153900000	ARTICULATED ELBOW FOR VALVE T/D 1/8"	
1659	084100300	PUMP 220/240V 16W	
1660	155477888	VALVE ASSEMBLED (STEAM OUTLET)	

BOILER TANK WIRE CONNECTION

N = BLACK
C = LIGHT BLUE
B = WHITE
A = ORANGE
M = BROWN
GV = EARTH

