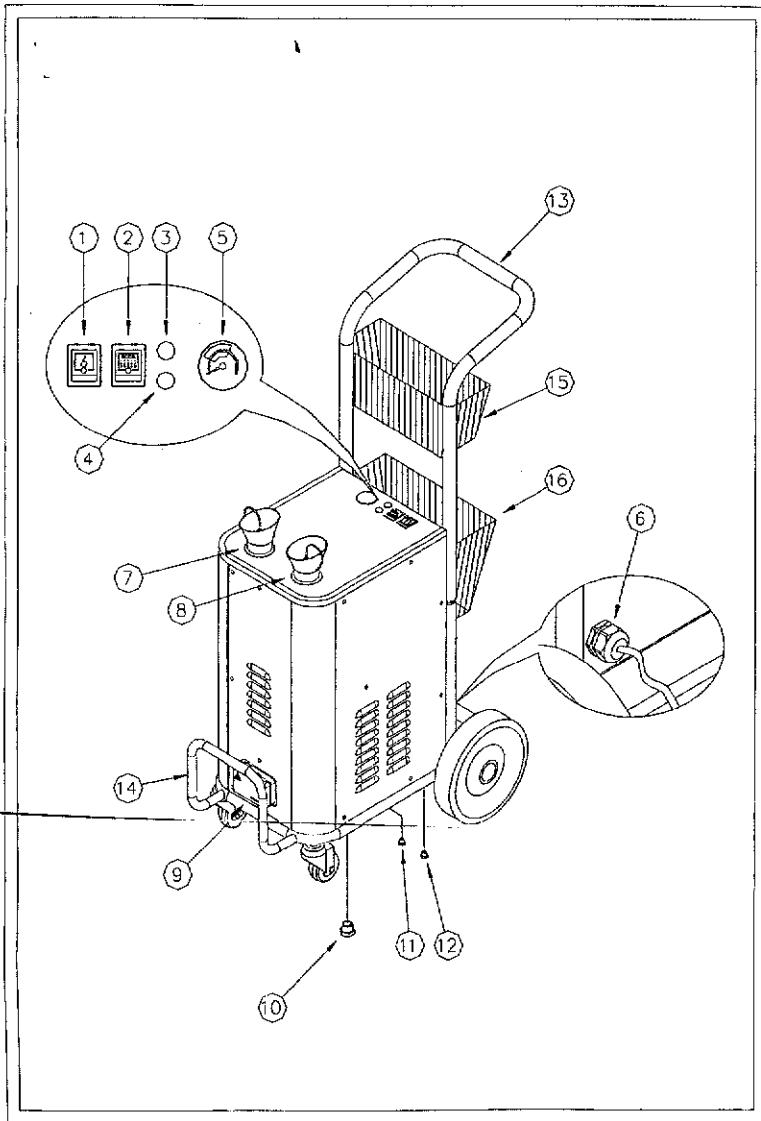
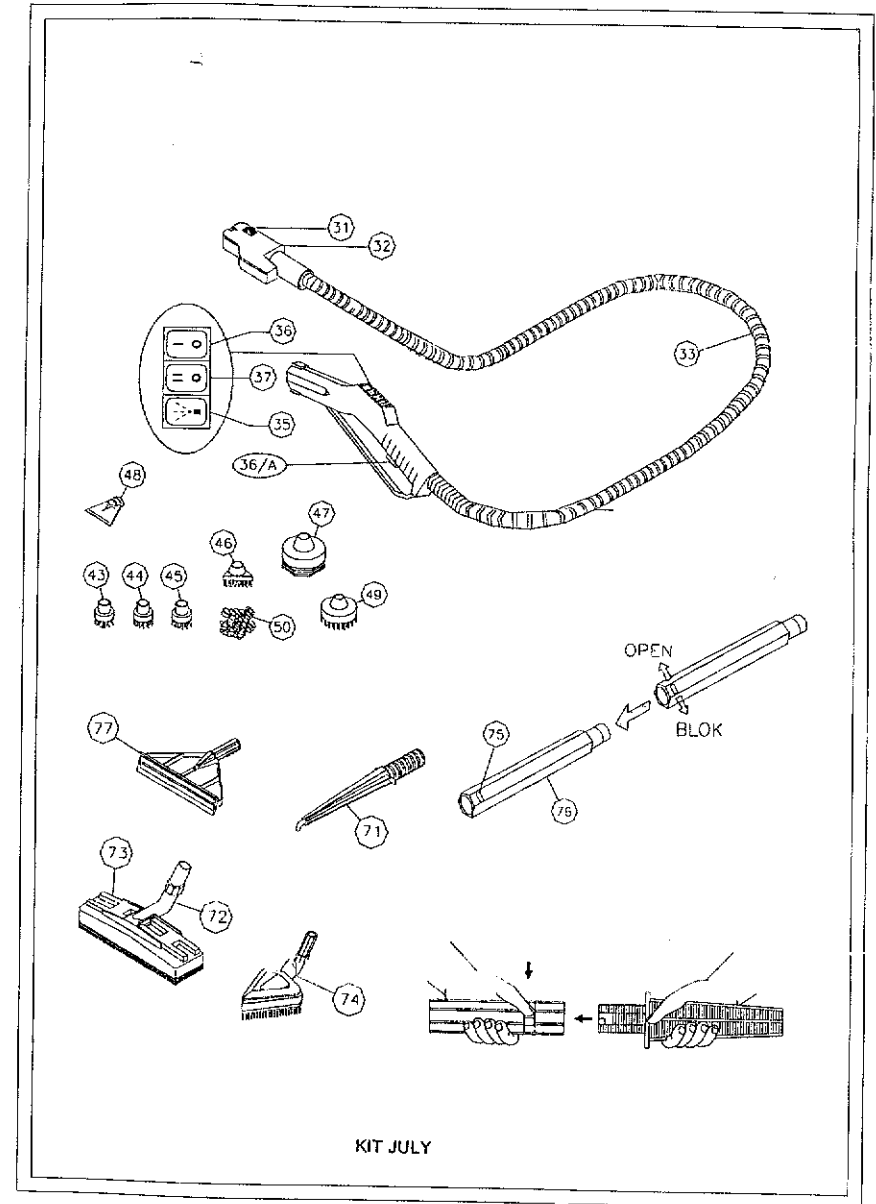


## 2. TECHNICAL DRAWINGS

## STEAM BOX



Pag. 2



KIT JULY

Pag. 3

### 3. TECHNICAL CHARACTERISTICS

#### 3.1. STEAM GENERATOR

STAINLESS STEEL BOILER (AISI 304)

BODY IN STAINLESS STEEL

LOW VOLTAGE HAND CONTROLS 12V

WATER RESERVE TANK: 3 liters

DETERGENT TANK: 3 liters

STEAM TEMPERATURE: 165°C

BOILER OUTPUT: 3.600 Watt

PRESSURE: 6 bar

STEAM VOLUME: 97 gr/min

DETERGENT TEMPERATURE: 90-125°C

### 4. NOMENCLATURE

- |  |                                       |
|--|---------------------------------------|
| 1 ) General power switch                 | 35) Detergent switch – intermittent   |
| 2 ) Boiler switch                        | 36) Steam adjustment switch – minimum |
| 3) "Low water" indicator light (red)     | 36a) Steam command switch             |
| 4) "Ready steam" indicator light (green) | 37) Steam adjustment switch – medium  |
| 5 ) Pressure gauge                       | 43) Small nylon brush Ø 28            |
| 6 ) Power cord with plug                 | 44) Small brass brush Ø 28            |
| 7 ) Water tank w/cap (blue)              | 45) Small stainless steel brush Ø 28  |
| 8 ) Detergent tank w/cap (yellow)        | 46) Small triangular brush            |
| 9 ) Steam outlet w/ flap cover           | 47) Steam plunger                     |
| 10) Boiler drain cap                     | 48) Steam scraper                     |
| 11) Drain cap water tank                 | 49) Large nylon brush Ø 60            |
| 12) Drain cap detergent tank             | 50) Stainless Steel wool pad          |
| 13) Handlebar                            | 71) Steam lance                       |
| 14) Carrying handle                      | 72) Rectangular brush                 |
| 15) Small basket for accessories         | 73) Cloth holder                      |
| 16) Large basket for accessories         | 74) Triangular brush                  |
| 31) Locking latch steam plug             | 75) Locking latches for accessories   |
| 32) Steam plug                           | 76) Extension tube                    |
| 33) Steam hose                           | 77) Window cleaner                    |

## 5. SAFETY REGULATIONS

### IMPORTANT

IT IS RECOMMENDED THAT THE ELECTRIC SUPPLY TO THIS MACHINE SHOULD INCLUDE EITHER A RESIDUAL CURRENT DEVICE THAT WILL INTERRUPT THE SUPPLY IF THE LEAKAGE CURRENT TO EARTH EXCEEDS 30mA FOR 30ms OR A DEVICE, WHICH WILL PROVE THE EARTH CIRCUIT.

### WARNING

- PRESSURE JETS CAN BE DANGEROUS IF SUBJECT TO MISUSE. THE JET MUST NOT BE DIRECTED AT PERSONS, LIVE ELECTRICAL EQUIPMENT UNDER PRESSURE, OR THE MACHINE ITSELF.
- STEAM CLEANERS SHALL NOT BE USED BY CHILDREN OR UNTRAINED PERSONNEL.
- TO ENSURE THE MACHINE SAFETY, USE ONLY ORIGINAL SPARE PARTS FROM THE MANUFACTURER OR APPROVED BY THE MANUFACTURER.
- ENSURE THAT THE ELECTRICAL INSTALLATION IS EQUIPPED WITH AN EARTH DEVICE.
- IF NECESSARY, THE POWER CORD MAY BE REPLACED ONLY BY AUTHORIZED PERSONNEL OR SERVICE CENTER.
- PRESSURE HOSES, FITTING AND COUPLINGS ARE IMPORTANT FOR THE SAFETY OF THE MACHINE. USE ONLY HOSES, FITTINGS AND COUPLINGS RECOMMENDED BY THE MANUFACTURER.
- DO NOT USE THE MACHINE IF THE POWER CORD OR OTHER IMPORTANT PARTS OF THE MACHINE ARE DAMAGED, I.E. SAFETY DEVICES, PRESSURE HOSES AND TRIGGER GUN.
- IF AN EXTENSION CORD IS USED THE PLUG AND SOCKET MUST BE OF WATERTIGHT CONSTRUCTION. INADEQUATE EXTENSION CORDS CAN BE DANGEROUS.
- FILL THE WATER TANK WITH WATER ONLY. DO NOT ADD DETERGENTS OR CHEMICAL PRODUCTS IN THE WATER TANK.
- FILL THE DETERGENT TANK WITH WATER, OR IF USING DETERGENT, ONLY WITH NEUTRAL AND NON FOAMY DETERGENT.
- DO NOT DISASSEMBLE THE ACCESSORIES WHILE THE MACHINE IS SUPPLYING STEAM.
- DO NOT OPERATE ELECTRIC MACHINES WITH WET HANDS.
- NEVER TURN THE MACHINE OVER OR ON ITS SIDE DURING USE.
- FAILURE TO OBSERVE THE REGULATIONS LISTED ABOVE WILL RENDER THE MANUFACTURERS WARRANTY NULL AND VOID ON THE ENTIRE MACHINE.

## 6. OPERATING INSTRUCTIONS

- (a) After opening the packaging box, insert the main handlebar (13) onto the single bars located on the back of the machine and attach the large basket (16) into the holes which will also lock the handlebar in place.
- (b) Lift the reserve tank caps (7 and 8) and add water (max. 3 liters) to the water tank (blue cap) and appropriately diluted detergent (max. 3 liters) in the detergent tank (yellow cap) of the machine.
- (c) If using detergent please follow the specific instructions: 1/3 liter detergent for every 3 liters water (about 10% is the detergent percentage), making sure to fill in first the detergent to obtain a better mixing.
- (d) Insert the plug (6) into an electrical outlet, making sure that the voltage and the amperage correspond with those printed on the right side of the machine.

### WARNING

WHEN THE WATER TANK IS EMPTY WITH THE RED "LOW WATER" INDICATOR (3) ON, ADD WATER (MAX. 3 LITERS) TO THE WATER TANK (7).

PLEASE NOTE: THIS OPERATION CAN BE CARRIED OUT WITHOUT SWITCHING OFF THE MACHINE.

#### Refilling of detergent:

Once the detergent tank is empty, proceed as following:

1. Add diluted detergent in the tank (8).
2. With the steam switched off, activate the steam command switch (36a) while pushing the detergent switch (35) until detergent comes out of the accessory.
3. The machine is now ready for use.

### 6.1. OPERATING THE STEAM BOX WITH KIT JULY

Insert the steam plug (32) into the steam outlet (9) found on the front of the machine. Push until the latch (31) locks into place.

With water in the water tank (7), activate the general power switch (1) and allow the pump to fill the boiler. Once the boiler is full, activate the boiler switch (2) for the production of steam and wait approximately 3 - 8 minutes (depending on the model) until the green "ready steam" indicator (4) lights up indicating the boiler has reached operating pressure. The switches (36 and 37) located on the handle should be in OFF position.

Activating the switches (36 and 37) on the handgrip will regulate the steam flow as follows: switch (36) minimum flow, switch (37) medium flow, switches (36 and 37) maximum flow. Use the steam command switch (36a) to activate the steam flow.

Insert the steam lance (71) by sliding the latch (75) to the OPEN position, lock into place and then slide the latch into BLOCK position.

Follow the same procedure in attaching the rectangular brush (72) or the triangular brush (74) which can be covered with an absorbing cloth by using the gripper (73) to hold the cloth in place. This is a recommended use to clean delicate surfaces (such as precious wood for ex.) or vertical surfaces (in tiles for ex.) etc. The cloth is acting as dirt "extractor" in this case.

## 7. MAINTENANCE

### ATTENTION

DISCONNECT FROM ELECTRICAL POWER SUPPLY BEFORE CARRYING OUT USER MAINTENANCE. IT IS RECOMMENDED THAT BOILER MAINTENANCE IS CARRIED OUT WHEN THE EQUIPMENT HAS COOLED DOWN. (I.E. SWITCHED OFF FOR AT LEAST 5 HOURS)

### 7.1 MAINTENANCE OF THE STEAM GENERATOR

#### ELIMINATING SCALE RESIDUE FROM THE BOILER

We suggest cleaning the boiler after every 50 hours of use, or also if the machine has remained unused for a long period of time.

With the boiler cooled down, fill the water tank, placing a recipient container under the machine and remove the boiler drain cap underneath the machine (10). Then switch on the machine activating the main power switch only (1). Wait until the low water indicator (3) lights up which indicates that the internal cleaning of the boiler has been completed. Unplug the power cord (6) from the electric outlet and proceed by replacing the boiler drain cap (10). Once again plug the power cord into the electric outlet and activate the main power switch only (1). Wait for the completed cycle of refilling from the pump (approx. 2 min.).

Now that the cleaning of the boiler has been carried out; proceed as described from point (A).

We suggest to empty the boiler completely if the machine will not be used for a long period of time.

### 7.2. MAINTENANCE OF THE ACCESSORIES

Grease occasionally joints on the accessories and hose extensions.

## 8. BEFORE REFERRING TO THE TECHNICAL SERVICE

PROBLEM	POSSIBLE CAUSE	REMEDY
MACHINE DOES NOT PRODUCE STEAM.	LACK OF POWER.	MAKE SURE PLUG (6) IS WELL INSERTED AND THAT THERE IS MAIN POWER TO THE OUTLETS.
THE RED "LOW WATER" INDICATOR (3) LIGHTS UP.	ALL THE WATER HAS BEEN CONSUMED.	REFILL THE WATER TANK (7) WITH CLEAN WATER.
THERE IS NO INJECTION OF DETERGENT.	ALL THE DETERGENT FROM THE DETERGENT TANK (8) COULD HAVE BEEN CONSUMED.	CONTROL THE LEVEL IN THE DETERGENT TANK (8), IF NECESSARY, REFILL THE DETERGENT TANK (8) AS DESCRIBED IN THE INSTRUCTIONS.
WATER LEAKS THROUGH THE CONNECTIONS OF THE ACCESSORIES.	CHECK THE WEAR OF THE O-RING.	CLEAN AND LUBRICATE THE O-RING WITH GREASE. IF NECESSARY, REPLACE WITH ONE SPARE SUPPLIED.
STEAM DOES NOT COME OUT.	A. BOILER HAS NOT REACHED YET THE OPERATIONAL PRESSURE (GREEN LIGHT (4) IS OFF). B. STEAM COMMAND SWITCHES (36,37) ARE OFF. C. STEAM COMMAND SWITCH (36A) HAS NOT BEEN USED.	A. WAIT A FEW MINUTES. B. SWITCH ON THE STEAM COMMAND SWITCHES (36-37). C. USE THE STEAM COMMAND SWITCH (36A) TO ACTIVATE STEAM FLOW.
DROPS OF WATER COME OUT OF THE ACCESSORIES.	AT BEGINNING OF WORK WATER CONDENSES IN THE TUBES AND ACCESSORIES DUE TO THE DIFFERENCE IN TEMPERATURE.	AFTER A FEW MINUTES OF USE THIS PROBLEM WILL CEASE. IF IT CONTINUES, PROCEED TO THE CLEANING OF THE BOILER.
ACCESSORIES DO NOT FIT PERFECTLY.	THERE IS DIRT BUILD UP IN THE JOINTS AND LOCK/RELEASE LATCHES (75).	CLEAN AND LUBRICATE THE JOINTS.

## 9. COMPANY TECNOVAP

## EC DECLARATION OF CONFORMITY



**DICHIARAZIONE DI CONFORMITA' CE**  
(EC DECLARATION OF CONFORMITY)

Il sottoscritto  
(The undersigned)

FRANCHINI GIULIANO

TECNOVAP SNC  
VIA DEI SASSI 1A  
37026 PESCANTINA VR

Attesta che le macchine per pulizia a vapore modello:  
(Certifies that the steam cleaning machine model):  
Chattanooga Steam Tech 1600 8100 12000

Risultano conformi alle specifiche delle direttive  
(conforms to the specifications of directives)  
73/23/EEC - 93/68/EEC 89/336/EEC - 93/68/EEC 97/23/CE

Per il controllo della conformità alle sopraindicate direttive, sono stati seguiti i seguenti standard:  
(For the checking of conformity to the above directives, the following standards have been used):

Riferimento alle norme armonizzate:  
(Reference to harmonized standards):

EN 60335-1  
EN 60335-2-79 + A1 + A11  
EN 55014  
EN 61008-4-2  
EN 61008-4-4  
EN 50141  
EN 61008-4-5  
EN 61008-4-13

PESCANTINA - VERONA (ITALY) 01-03-2002

FRANCHINI Giuliano

(Signature)

NOTA:  
Il rapporto di prova relativo alla compatibilità elettromagnetica da considerarsi è il rapporto F0201 E B2401  
relativo al modello Chattanooga - Chattanooga Hi Tech  
Viene preso in esame il suddetto rapporto vista la familiarità dei circuiti elettrici

## 10. SUMMARY

1.	PREFACE	1
2.	TECHNICAL DRAWINGS	2
3.	TECHNICAL CHARACTERISTICS	4
3.1.	STEAM GENERATOR	4
4.	NOMENCLATURE	6
5.	SAFETY REGULATIONS	6
6.	OPERATING INSTRUCTIONS	7
6.1.	OPERATING THE STEAM BOX WITH KIT-JULY	7
7.	MAINTENANCE	8
7.1.	MAINTENANCE OF THE STEAM GENERATOR	8
7.2.	MAINTENANCE OF THE ACCESSORIES	8
8.	BEFORE REFERRING TO THE TECHNICAL SERVICE	9
9.	EC DECLARATION OF CONFORMITY	10
10.	SUMMARY	11