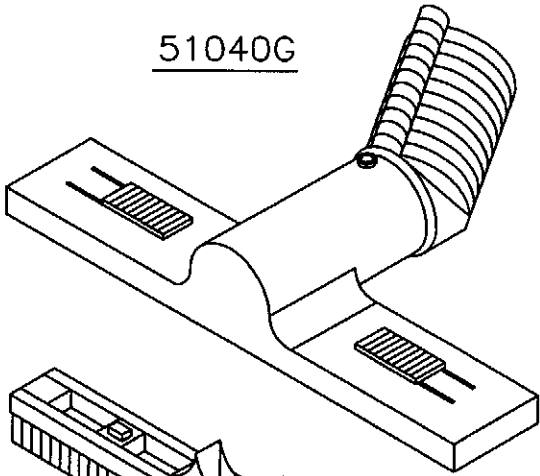


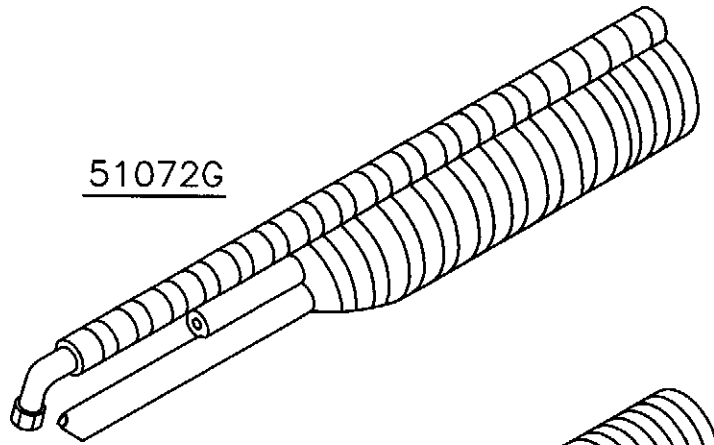
Pos.	CODICE	Q.tà	DENOMINAZIONE	DENOMINATION
1	CR4002A	1	CARRELLO ARENA 2 LATO RUOTE	ARENA 2 TROLLEY - BASE
1/A	CR4002B	1	CARRELLO ARENA 2 MANIGLIONE	ARENA 2 TROLLEY - HANDLEBAR
1/B	CR4002C	1	PERNO L.395 Ø12 FISSAGGIO RUOTE	REAR WHEEL AXLE Ø 12
1/C	VI73003	2	RONDELLA GREMBIULINA 12x24	WASHER 12X24
1/D	PG5416	2	RUOTA POSTERIORE Ø200 STEAM TECH	FIXED REAR WHEEL Ø 200
1/E	PG5245	2	COLLARE ELASTICO FERMO RUOTA PER Ø12	WHEEL LOCK
1/F	PG5404	2	RUOTA Ø60 M10x15 GIREVOLE	WHEEL Ø 60 M10X15 - SWIVEL
1/G	CR8000	1	CESTELLO JUNIOR 400x260x150	BASKET 400X260X150
1/H	CR4002E	1	CESTELLO CROMATO 345x140x110 I.265	SMALL BASKET 345x140x110
1/I	PG5060	2	VOLANTINO TMP V1/30/V - M6x40	HANDWHEEL SCREW M6x40
2	CA11535	1	SOTTOB. A/CARMEN CN2 INOX	LOWER BODY COVER CN2
2/A	PE227C	1	INTERRUTTORE 16A NERO C/LED CALDAIA	BOILER SWITCH 16A BLACK
2/B	PE227R	1	INTERRUTTORE 16A NERO C/LED RETE	POWER SWITCH 16A
2/C	PG5021	2	CAPPUCCIO QUADRATO	SWITCH PROTECTION
2/D	PE22S9	1	SPIA LUMINOSA ROSSA F/D SERIGRAFATA	RED INDICATOR LIGHT
2/E	PE22S2	1	SPIA LUMINOSA VERDE F/D SERIGRAFATA	GREEN INDICATOR LIGHT
2/F	PG5106	2	OR 9,25X1,78 NBR GRIGIO RAL7035	O-RING 9,25X1,78 NBR
3	PE2133	1	PRESA 10-16A 250V SCHUKO	SOCKET 10-16A 250V SCHUKO
4	PG5070	1	SPESSORE PER PRESA ASPIRATORE	SPACER FOR ELECTRIC SOCKET
5	VI7105	4	VITE RAPID FIX TC 3.9x16 NERA	SCREW 3.9X16 RAPID-FIX
6	PE2179	1	CAVO SEZ.3X1,5 mt 4 SPINA INGLESE	POWER CORD
6/A	PE2014	1	PRESSACAVO PASSO PG 13,5 IP66	CABLEPRESS
6/B	PE2015	0.25	MORSETTIERA MAMMUTH Ø4 mm2	POWER CORD CONNECTOR Ø4 mm2
6/C	VI7154	2	VITE ZN TC M3x20	SCREW ZN M3X20
6/D	VI7319	2	RONDELLA DENTELLATA M3	LOCK WASHER M3
6/E	VI7211	2	DADO M3	NUT M3
8	RA3098	1	STAFFA IDRAULICO/ELETTRICO	SUPPORT MOUNT PUMP GROUP
9	VI7180	4	VITE TSP TC M4x12	SCREW M4X12
11	VI7312	1	RONDELLA GREMBIULINA 4x16	WASHER 4X16
12	VI7318	4	RONDELLA DENTELLATA M4	LOCK WASHER M4
13	PG5304	1	PASSATUBO TAPPO Ø20	RUBBER MOUTHPIECE Ø 20
14	PG5064	4	DISTANZIALE FILETTATO M3 L.15	THREADED SPACER M3 L.15
15	VI7109	4	VITE TSP M3x10	SCREW M3X10
16	PE2347	1	SCHEDA TVAP20 230V	ELECTRONIC BOARD TVAP20
17	PE2010	1	RELAY 200/240V AC 20A	RELAY 200/240V AC 20A
18	VI7325	2	RONDELLA ZN M4 UNI 6592 DIN 125	WASHER M4
19	VI7180	2	VITE TSP TC ZN M4x12	SCREW ZN M4X12
20	PE2340	1	TERMOSTATO 240° BULBO	CONTROL THERMOSTAT 240°
21	VI7121	2	VITE M4x6 TC TC	SCREW M4X6
22	VI7318	2	RONDELLA DENTELLATA M4	LOCK WASHER M4
23	RA3409	1	VALVOLA NON RITORNO MOLLA DEBOLE	NON RETURN VALVE - LIGHT SPRING
24	PG5360	mt.0.04	TUBO EPDM 12x15	EPDM HOSE 12X15
25	RA30254	1	RACCORDO MISCELATORE 1/8"F x 1/8"F x 6x4	Y - VALVE 1/8"F X 1/8"F X 6X4
26	RA3183	1	RACCORDO DIRITTO 6x8 1/8"M	STRAIGHT VALVE 6X8 1/8"M
26/A	RA3167	1	RACCORDO GOMITO 6x8 - 1/8"F	ELBOW VALVE 6X8 - 1/8"F
27	12004T	1	UGELLO ROTONDO MASCHIO 1/8"M	ROUND MALE NOZZLE 1/8"M
28	PG5142	2	OR 9,25x1,78 VITON NERO	O-RING 9,25X1,78 VITON
29	RA3201	mt. 0.3	TUBO TEFLON Ø6x8	TEFLON TUBE Ø6X8
31	RA3167	1	RACCORDO GOMITO 6x8 - 1/8"F	ELBOW VALVE 6X8 - 1/8"F
33	RA3201	mt. 0.2	TUBO TEFLON Ø6x8	TEFLON TUBE Ø6X8 L.300
34	RA3033	1	STAFFA FISSAGGIO VALVOLA NON RITORNO	CLAMP FOR NON RETURN VALVE
35	VI7180	1	VITE TSP TC M4x12	SCREW M4X12
36	VI7312	1	RONDELLA GREMBIULINA M4x16	WASHER M4X16
37	PE2370	1	FASTON M 6.3 CON FORO VITE	TERMINAL M 6,3 W/ SCREW
38	VI7318	1	RONDELLA DENTELLATA M4	LOCK WASHER M4
39	PE2404	2	POMPA ET500	PUMP ET500
40	PE2408	2	TERMOPROTETTORE 100°C	THERMAL PROTECTOR 100°C
41	PE2415	1	DEAREATORE PER POMPA	BLEEDER VALVE FOR PUMP
42	RA3183	1	RACCORDO DIRITTO 6x8 - 1/8"M	STRAIGHT VALVE 6X8 1/8"M
43	RA3127	1	RACCORDO DIRITTO 6x4 - 1/8"M	STRAIGHT VALVE 6X4 - 1/8"M
44	RA3209	mt. 0.17	TUBO TEFLON Ø6x4	TEFLON TUBE Ø 6X4
45	RA3201	mt. 0.18	TUBO TEFLON Ø6x8	TEFLON TUBE Ø 6X8
46	PG5327	mt 0.82	TUBO GOMMA CALZATO NERO Ø4x8	SLEEVED HOSE Ø 4X8
47	PG5203	1	FASCETTA STRIK CLX 090-1 7-9	CLAMP 9,8-10,4
48	PG5327	mt 0.44	TUBO GOMMA CALZATO NERO Ø4x8	SLEEVED HOSE Ø 4X8
49	PG5203	1	FASCETTA STRIK CLX 090-1 7-9	CLAMP 9,8-10,4
50	PG5327	mt 0.56	TUBO GOMMA CALZATO NERO Ø4x8	SLEEVED HOSE Ø 4X8

51	PG5203	1	FASCETTA STRIK CLX 090-1 7-9	CLAMP 9,8-10,4
52	9902006	1	CALDAIA CON RESISTENZA	BOILER W/ HEATING ELEMENT
52/A	PE25046	1	RESISTENZA 3000W 240V M42X1,5	HEATING ELEMENT
52/B	PG5139	1	GUARNIZIONE ALLUMINIO ø42x50x1,5	ALUMINUM GASKET ø42X50X1,5
52/C	RA3321	1	TAPPO OTTONE CON SONDA L.104mm	BRASS CAP LVL CONT. FLOAT L. 104mm
52/D	RA3147	1	RACCORDO GOMITO 1/8"F - 1/8"M	ELBOW VALVE 1/8"F - 1/8"M
52/E	RA3408	1	VALVOLA NON RITORNO MOLLA DURA	NON RETURN VALVE - HEAVY SPRING
52/F	RA3167	1	RACCORDO GOMITO 6x8 - 1/8"F	ELBOW VALVE 6X8 - 1/8"F
52/G	RA3147	2	RACCORDO GOMITO 1/8"F - 1/8"M	ELBOW VALVE 1/8"F - 1/8"M
52/H	RA3411	1	VALVOLA 1/8"M 7,5 bar	SAFETY VALVE 1/8"M 7,5 bar
52/I	RA3147	1	RACCORDO GOMITO 1/8"F - 1/8"M	ELBOW VALVE 1/8"F - 1/8"M
52/L	RA3101	1	RACCORDO A Y 1/8"F x 1/8"M x 1/8"F	Y - CONNECTION 1/8"F X 1/8"M X 1/8"F
52/M	RA3168	1	TAPPO PER RACCORDO 1/8"M	CAP FOR STRAIGHT VALVE 1/8"M
52/N	PE23924	1	ELETTROVALVOLA 1x1.5 1x2.2 230V	SOLENOID VALVE 1X1.5 1X2.2 230V
52/P	0902006	1	CALDAIA COMPLETA	COMPLETE BOILER
52/Q	PG51033	1	GUARNIZIONE TEFLON ø33,2x40x2	TEFLON GASKET ø 33,2X40X2
52/R	PE2414	1	CAPILLARE L.500 1/8"F 1/8"M	CAPILLARY L.500 1/8"F 1/8"M
52/S	PE2411	1	PRESSOSTATO 16A 250V 4-9 bar	PRESSURE SWITCH 16A 250V 4-9 bar
52/T	RA3201	mt. 0,065	TUBO TEFLON ø6x8	TEFLON TUBE ø 6X8
52/U	PG5203	1	FASCETTA STRIK CLX 090-1 7-9	CLAMP SNAP-ON 090-1 7-9
53	VI7203	1	DADO CH.24xL.6x1/2" OTTONE	BRASS NUT 24XL.6X1/2"
54	VI7335	1	RONDELLA DENTELLATA INOX M20	LOCK WASHER M20 - ST. STEEL
55	VI7336	1	RONDELLA PIANA INOX M20	WASHER M20 - ST. STEEL
56	VI7203	1	DADO CH.24xL.6x1/2" OTTONE	BRASS NUT 24XL.6X1/2"
57	RA3163	1	TAPPO DRENAGGIO 3/8"M	BOILER DRAIN CAP 3/8"M
59	PG51164	2	OR 2056 14,00x1,78 NBR NERO	O-RING 2056 14,00X1,78 NBR
60	IS4004	1	PROTEZIONE CALDAIA DX	BOILER INSULATION - RIGHT
60A	IS4003	1	PROTEZIONE CALDAIA SX	BOILER INSULATION - LEFT
61	PE2145	1	TERMOSTATO 160°C	THERMOSTAT 160°
62	VI7325	2	RONDELLA PIANA ZN M4	WASHER M4X16
63	VI7319	2	RONDELLA DENTELLATA M3	LOCK WASHER M3
64	VI7211	2	DADO M3	NUT M3
67	PE2000V1	1	CABLAGGIO CARMEN PLUS 230V	COMPL. WIRING 230V
68	VI7130	1	VITE AUTOFILETTANTE TC 3,5x9,5	SCREW 3,5X9,5
69	VI7318	2	RONDELLA DENTELLATA M4	LOCK WASHER M4
70	PP0008	1	SPORTELLO COPRI PRESA COMPLETO	STEAM SOCKET FLAP COVER
71	120101	1	CORPO PRESA SUPERIORE	TOP SOCKET COVER
72	120102	1	CORPO PRESA INFERIORE	BOTTOM SOCKET COVER
73	VI7105	2	VITE RAPID FIX TC 3,9x16 NERA	SCREW 3,9X16 RAPID-FIX
74	VI7341	4	VITE AUTOFILETTANTE TC 3,9x19	SCREW 3,9X19
75	CA11485	1	BASE A/PLUS INOX CON 4 FORI X DISCO	UPPER BODY COVER
76	PG5328	1	PASSATUBO OVALE ø2-10	RUBBER MOUTHPIECE - OVAL ø2-10
83	PG50443	1	DISCO SOTTOBASE ASPIRATORE CON FORI	ROUND BASE WET VAC
84	VI7105	4	VITE RAPID FIX TC 3,9x16 NERA	SCREW 3,9X16 RAPID-FIX
85	PG5325	1	PARABORDO GOMMA L.96	RUBBER PROTECTIVE SEAL L.96
86	CA1230	1	SERBATOIO CARMEN PLUS DETERGENTE	DETERGENT TANK
87	RA3140	1	PORTAGOMMA CON FILTRO IN OTTONE	TUBE COUPLER W/ FILTER
88	RA3020	1	PORTAGOMMA 7x1/8"M	TUBE COUPLER 7X1/8"M
89	PG5365	mt. 0,15	TUBO PVC TRASPARENTE 6x9	PVC TRANSPARENT TUBE 6X9
90	PG5247	3	FASCETTA BIFILIARE 9,8-10,4	CLAMP
91	RA3019	1	PORTAGOMMA 7x1/8"F	TUBE COUPLER 7X1/8"F
92	RA33152	1	TAPPO OTTONE 14xL.15x1/8"	BRASS CAP FOR DRAIN TUBES
93	PG5106	3	OR 9,25x1,78 MBR GRIGIO	O-RING 9,25X1,78 NBR
94	CA1231	1	SERBATOIO CARMEN PLUS ACQUA	WATER TANK
95	RA3140	1	PORTAGOMMA CON FILTRO IN OTTONE	TUBE COUPLER W/ FILTER
96	RA3020	2	PORTAGOMMA 7x1/8"M	TUBE COUPLER 7X1/8"M
97	PG53611	1	TUBO OTTONE 4x3 L.230	BRASS TUBE 4X3 L.230
98	RA3019	1	PORTAGOMMA 7x1/8"F	TUBE COUPLER 7X1/8"F
99	PG5365	mt. 0,3	TUBO PVC TRASPARENTE 6x9	PVC TRANSPARENT TUBE 6X9
100	RA33152	1	TAPPO OTTONE 14xL.15x1/8"	BRASS CAP FOR DRAIN TUBES
101	PG5106	3	OR 9,25x1,78 MBR GRIGIO	O-RING 9,25X1,78 NBR
102	PG5247	4	FASCETTA BIFILIARE 9,8-10,4	CLAMP
103	VI7041	4	VITE M5x10	SCREW M5X10
104	PE2255	1	INTERRUTTORE REED GALLEGGIANTE	CONTROL FLOAT WATER TANK VERT.
105	RA3099	1	STAFFA UNIONE SERBATOI	SUPPORT BRACE WATER / DET. TANKS
106	VI70002	2	VITE M5x10 TSP BRUGOLA	SCREW M5X10
107	VI7101	4	VITE TORX ACCIAIO 3,5X9,5-7x3/8	SCREW
108	PG5069B	1	IMBUTO FILETTATO IN GOMMA BLU	THREADED FUNNEL - BLUE
109	PG5069G	1	IMBUTO FILETTATO IN GOMMA GIALLO	THREADED FUNNEL - YELLOW
110	RA3324	2	TAPPO PER IMBUTO	CAP FOR FUNNEL

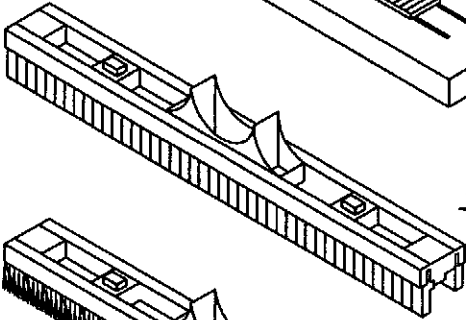
51040G



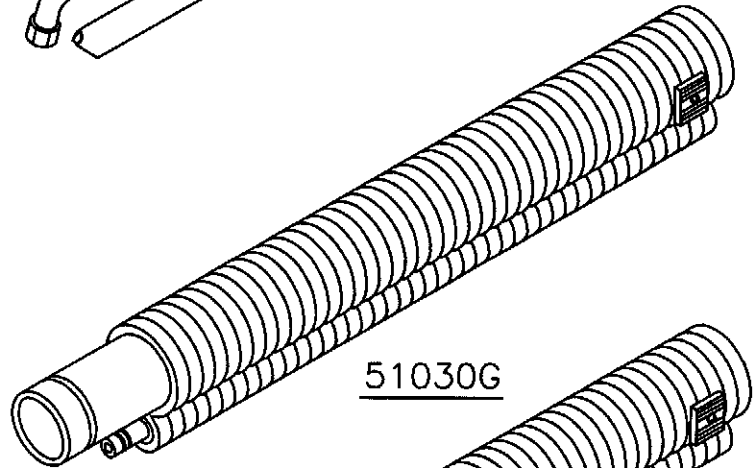
51072G



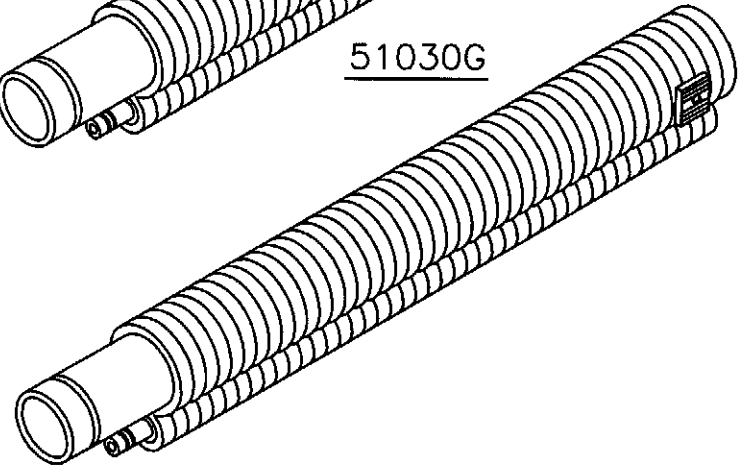
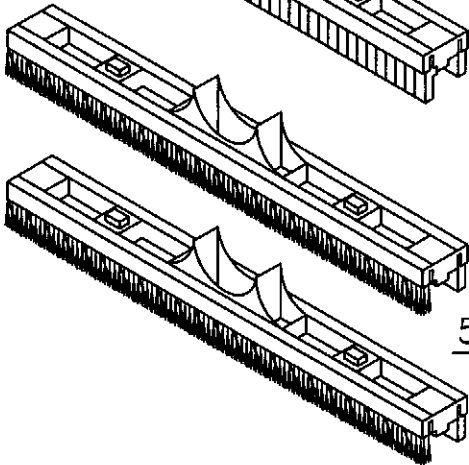
510410



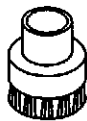
51030G



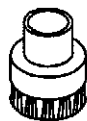
510420



120716



120717



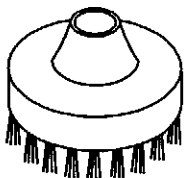
120709



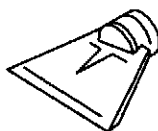
120713



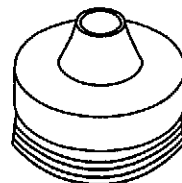
120718



120723



120721



120712

