

Pos.	Codice	Q.tà	Denominazione	Denomination	Description	Benennung	Descripcion
STEAM TECH 4800 230V (cod. 200300)							
1	CA1181	1	GRUPPO CENTR. SERBAT. BLU	BLUE TANK GROUP	PARTIE CENTRALE BLEUE	TANKGRUPPE (BLAU)	GRUPO DEPOSITOS (AZUL)
2	RA3085	1	STAFFA ANT. CALDAIA-RUOTE	MOUNT BASE	BRIDE SUPPORT	HALTERUNG	SOPORTE
3	PP0007	2	RACCORDO TUBO SCATOLA Ø50	FITTING	RACCORD	VERBINDUNGSTÜCK	RACORDO
4	V17311	4	RONDELLA DENTELLATA Ø10	WASHER Ø10	RONDELLE	SCHEIBE	ARANDELA
5	V17313	4	RONDELLA GREMB. ZN 10X30	WASHER ZN 10X30	RONDELLE	SCHEIBE	ARANDELA
6	V17125	4	VITE M10X20 STEAM TECH	SCREW M10X20	VIS	SCHRAUBE	TORNILLO
7	PG5032	2	VOLANTINO TMP V130V-M6X20	HAND WHEEL SCREW	VIS DE POIGNÉE	SCHRAUBE FÜR HANDGRIFF	TORNILLO PARA MANGO
8	PG5409	2	RUOTA Ø100 10MAX15 GIREV.	WHEEL Ø100 MAX15	ROUE	RAD	RUEDA
9	V17313	2	RONDELLA GREMB. ZN 10X30	WASHER ZN 10X30	RONDELLE	SCHEIBE	ARANDELA
10	V17225	2	DADO AUTOBLOK M10	NUT M10	ÉCROU	MUTTER	TUERCA
11	PG5345	0.428	TUBO ELETTRICO Ø60 (S/TECH)	HOSE Ø50	TUYAU	SCHLAUCH	TUBO
12	PG5145	2	GUARNIZ. TUBI. PASS. EL./IDR.	GASKET	JOINT	DICHTUNG	JUNTA
13	FL9000	2	FILTRO DET/ACQ STEAM TECH	DET/WATER FILTER STEAM TECH	FILTRE DET./EAU STEAM TECH	REINIG./WASSER FILTER ST. TECH	FILTRO DET/AGUA STEAM TECH
14	PE2327	1	INTERR. REED GALLEGG. ORIZZ.	REED SWITCH HORIZONTAL FLOAT	INTERRUPTEUR REED FLOTTEUR	REED SCHALTER SCHW. SPERRE	INTERRUPTOR REED FLOTADOR
15	PG5365	0.60	TUBO PVC TRASPARENTE 6X9	PVC HOSE 6X9	TUYAU	SCHLAUCH	TUBO
16	PG5247	1	FASCETTA BIFILARE 9.8-10.4	CLAMP 9.8-10.4	COLLIER	SCHELLE	ABRAZADERA
17	PG5365	0.35	TUBO PVC TRASPARENTE 6X9	PVC HOSE 6X9	TUYAU	SCHLAUCH	TUBO
18	PG5247	1	FASCETTA BIFILARE 9.8-10.4	CLAMP 9.8-10.4	COLLIER	SCHELLE	ABRAZADERA
19	PP0005	2	TAPPO VANO EL./IDR. S/TECH	CAP	BOUCHON	DECKEL	TAPÓN
20	RA3090	1	PERNO RUOTA STEAM TECH	WHEEL AXLE	PIVOT RUE	ACHSE RAD	PIVOT RUEDA
21	RA3091	2	SPESSORE PERNO-RUOTA	WHEEL AXLE BLOCK	CALE D'ÉPAISSEUR ROUE	ABSTANDSTÜCK RADACHSE	PIEZA ESPESOR RUEDA
22	PG5416	2	RUOTA POSTERIORE S/TECH	WHEEL	ROUE	RAD	RUEDA
23	PG5245	2	COLLARE ELAST. FERMO RUOTA	ELASTIC COLLAR FOR WHEEL	COLLIER ELAST. POUR RUE	ELAST. RING FÜR RAD	COLLAR ELAST. PARA RUEDA
24	RA3094	1	STAFFA CAVO ALIMENTAZIONE	MOUNT BASE	BRIDE SUPPORT	HALTERUNG	SOPORTE
25	V17188	2	VITE TCB TC ZN M6X10	SCREW M6X10	VIS	SCHRAUBE	TORNILLO
26	V17303	2	RONDELLA DENTELLATA ZN Ø8	WASHER ZN Ø8	RONDELLE	SCHEIBE	ARANDELA
29	PE2361	1	PRESSACAV. PLASTICO PG16	CABLE PRESS	PASSAGE POUR CÂBLES	KABELDURCHGANG	PRENSA CABLE
30	PE1090D	1	CAVO DI ALIMENTAZIONE 4800	POWER CABLE	CÂBLE D'ALIMENTATION	STROMKABEL	CABLE DE ALIMENTACIÓN
32	PE2270	1	COMMUTATORE 20A 400V	COMMUTATOR	COMMUTATEUR	STROMWENDER	CONMUTADOR
33	V17184	3	VITE AUTOFIL. 2.9X13 T.S.P.T.C.	SCREW 2.9X13	VIS	SCHRAUBE	TORNILLO
34	AD9020	1	ADESIVO SERIG. PANN. COM.	STICKER COMAND PANEL	ADHÉSIF PANNEAU COMMANDE	SCHALTBRETT-AUFKLEBER	ADESIVO PANEL DE MANDO
35	PG5308	1	PASSATUBO ELIS	GASKET ELIS	PASSAGE	DURCHGANG	PRENSA
36	PE2225	1	SPIA LUM. SERIG. VERDE INC.	GREEN INDICATOR LIGHT	TÉMOIN LUMINEUX VERT	GRÜNES KONTROLLICHT	ESPIA LUMINOSA VERDE
37	PE2219	1	SPIA LUM. SERIG. ROSSA INC.	RED INDICATOR LIGHT	TÉMOIN LUMINEUX ROUGE	ROTES KONTROLLICHT	ESPIA LUMINOSA ROJA
37/A	PG5106	1	OR 9.25X1.78 NBR GRIGIO	O-RING	JOINT	DICHTUNG	JUNTA
38	PG5115	1	OR 34.65X1.78 NBR NERO	O-RING 34.65X1.78	JOINT	DICHTUNG	JUNTA
39	PE2430	1	MANOMETRO Ø50 0-16 Bar	PRESSURE GAUGE	MANOMÈTRE	MANOMETER	MANOMETRO
40	PE2414	1	CAPILLARE L.500 1/8" F-M	CAPILLARY	CAPILLAIRE	KAPILLARE	CAPILARO
41	RA30003	1	STAFFA FISS. MANOMETRO	MOUNT BASE	BRIDE SUPPORT	HALTERUNG	SOPORTE
42	510303	1	TUBO COLLEG. INT. CORTO	HOSE	TUYAU	SCHLAUCH	TUBO
43	PE2404	1	POMPA ET500P-1/8" F NBR 230/50	PUMP ET500	POMPE	PUMPE	BOMBA

45	PE2415	1	DEAREATORE POMPA ET500	BLEEDER VALVE FOR PUMP	DESAÉRATEUR	ENTLÜFTER	DEAREADOR
46	RA3147	1	RACCORDO GOMITO 1/8"F-1/8"M	ELBOW VALVE	RACCORD COUDÉ	WINKELANSCHLUß	RACORDO „L“
47	RA3105	1	RACCORDO GOMITO 8X6-1/8"M	ELBOW VALVE	RACCORD COUDÉ	WINKELANSCHLUß	RACORDO „L“
49	PE2404	1	POMPA ET500P-1/8"F NBR 230/50	PUMP ET500	POMPE	PUMPE	BOMBA
50	RA3147	1	RACCORDO GOMITO 1/8"F-1/8"M	ELBOW VALVE	RACCORD COUDÉ	WINKELANSCHLUß	RACORDO „L“
51	RA3104	1	RACCORDO GOMITO 6X4-1/8"M	ELBOW VALVE	RACCORD COUDÉ	WINKELANSCHLUß	RACORDO „L“
52	PE2408	2	TERMOPROTETTORE 100° C	THERMAL CUT OUT 100° C	THERMOPROTECTEUR	THERMOSCHUTZ	THERMOPROTECTOR
53	RA3056	2	STAFFA SUPPORTO POMPA	MOUNT BASE PUMP	BRIDE SUPPORTE	HALTERUNG	SOPORTE
54	RA3093	1	STAFFA GRUPPO POMPE	MOUNT BASE	BRIDE SUPPORTE	HALTERUNG	SOPORTE
55	VI7022	4	RIVETTO ALL. ZN NERO Ø4X12	RIVET	RIVET	NIETE	REMACHE
57	RA3089	1	BLOCCETTO 4 VIE PRESSOST.	4 WAY CONNECTOR	BLOC À 4 VOIES	4 WEGE ANSCHLUBBLOCK	BLOCO A 4 VIAS
59	RA3132	1	RACC. A T 1/8"FX1/8"MX1/8"F	ELBOW VALVE	RACCORD COUDÉ	WINKELANSCHLUß	RACORDO „L“
60	RA3186	1	RACC. DRIT. 1/8"M OGIVA Ø4	STRAIGHT VALVE	RACCORD	ANSCHLUß	RACORDO
61	RA3168	1	TAPPO PER RACCORDO 1/8"M	CAP FOR STRAIGHT VALVE	BOUCHON	DECKEL	TAPÓN
62	PE2411	1	PRESSOST. 16A 250V 4-9 Bar	PRESSURE SWITCH 4-9 Bar	PRESSOSTAT	DRUCKWÄCHTER	MADITOR DE PRESIÓN
64	VI7316	4	ROND. GREMB. 6X16	WASHER 6X16	RONDELLE	SCHEIBE	ARANDELA
65	VI7041	4	VITE 5X10	SCREW 5X10	VIS	SCHRAUBE	TORNILLO
66	PG5247	2	FASCETTA BIFIL.9.8-10.4	CLAMP 9.8-10.4	COLLIER	SHELLE	ABRAZADERA
67	PG5365	0.35	TUBO PVC TRASPARENTE 6X9	PVC HOSE 6X9	TUYAU	SCHLAUCH	TUBO
68	PG5247	2	FASCETTA BIFIL.9.8-10.4	CLAMP 9.8-10.4	COLLIER	SHELLE	ABRAZADERA
70	RA3092	1	STAFFA GRUPPO SCHEDE	MOUNT BASE	BRIDE SUPPORT	HALTERUNG	SOPORTE
71	PG5064	9	DISTANZIATORE IN PLASTICA	PLASTIC SPACER	ENTRETOISE	ABSTANDSSTÜCK	SEPARADOR
72	VI7148	9	VITE 4.8 MET. ZN TC TC 3X8	SCREW 4.8 ZN 3X8	VIS	SCHRAUBE	TORNILLO
73	VI7157	2	VITE 4.8 MET. ZN TC 4X16	SCREW 4.8 ZN 4X16	VIS	SCHRAUBE	TORNILLO
74	VI7318	4	RONDELLA DENTELLATA Ø4	WASHER Ø4	RONDELLE	SCHEIBE	ARANDELA
75	VI7212	4	DADO ZINCATO Ø4	NUT ZN Ø4	ÉCROU	MUTTER	TUERCA
76	PE2370	1	FASTON F 8.3 C/FORO VITE	TERMINAL	TERMINAL FASTON	FASTON TERMINAL	FASTON
77	RA3087	1	STAFFA SUPP. TERMOSTATI	MOUNT BASE	BRIDE SUPPORT	HALTERUNG	SOPORTE
78	VI7022	2	RIVETTO ACCIAIO 4X12	RIVET	RIVET	NIETE	REMACHE
79	VI7041	4	VITE 5X10	SCREW 5X10	VIS	SCHRAUBE	TORNILLO
80	VI7316	4	RONDELLA GREMB. 6X16	WASHER 6X16	RONDELLE	SCHEIBE	ARANDELA
81	PE2347	1	SCHEDE CIRC. ELETTR. TVAP20	ELECTRONIC BOARD TVAP20	PLATINE ÉLECTRONIQUE	PLATINE	PLACA ELECTRONICA
82	PE2349	1	SCHEDE CONT. POT. TVAP30	ELECTRONIC BOARD TVAP30	PLATINE ÉLECTRONIQUE	PLATINE	PLACA ELECTRONICA
83	PE2047	1	TERMOSTATO 260° BULBO RM	CONTROL THERM. RESET 260° C	THERMOSTAT RESET	RESET THERMOSTAT	TERMOSTATO RESET
91	PE1090	1	CABL. COMPL. S/TECH 4800	COMP. WIRING STEAM TECH 4800	CÂBLAGE STEAM TECH 4800	KABEL DER STEAM TECH 4800	CABLES DE LA STEAM TECH 4800
91/A	PE2177	1	FRUTTO PRESA 7P	CONNECTOR FOR TOOLS	CONNECTEUR POUR ACCESSOIRES	KONNEKTOR FÜR ZUBEHÖR	CONECTOR PARA ACCESORIOS
92	RA3201	0.93	TUBO TEFLON + GUAINA	HOSE	TUYAU	SCHLAUCH	TUBO
	PG5360	0.83	TUBO EPDM 12X15 (S/TECH)	HOSE	TUYAU	SCHLAUCH	TUBO
93	RA3209	1.35	TUBO TEFLON + GUAINA	HOSE	TUYAU	SCHLAUCH	TUBO
	PG5338	1.15	TUBO EPDM NERO Ø 7X10	HOSE	TUYAU	SCHLAUCH	TUBO
94	RA3201	0.97	TUBO TEFLON Ø4X12	HOSE	TUYAU	SCHLAUCH	TUBO
	PG5338	0.87	TUBO EPDM NERO Ø 7X10	HOSE	TUYAU	SCHLAUCH	TUBO
95	090243	1	CALDAIA NUDA S/ TECH 4800	BOILER	CHAUDIÈRE	DAMPFKESSEL	CALDERA

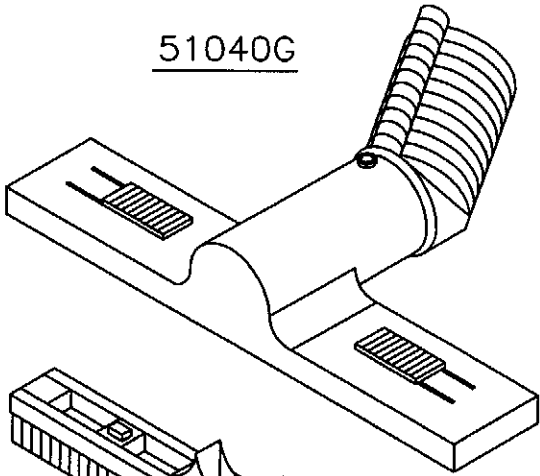
95/A	PE2522	1	RESISTENZA 3600W 230V	HEATING ELEMENT	RESISTANCE	WIDERSTAND	RESISTENCIA
95/B	PG5139	1	GUARNIZIONE ALLUM. 42X50X1.5	GASKET ALUMINIUM	JOINT ALUMINIUM	ALUMINIUMDICHTUNG	JUNTA EN ALUMINIUM
95/C	RA30803	1	RACCORDO 75° 1/8FX1/8FX1/8M	ELBOW VALVE	RACCORD COUDE	WINKELANSCHLUß	RACORDO „L“
95/D	RA3186	1	RACCORDO DRITTO 1/8 C/OGIVA	STRAIGHT VALVE	RACCORD	ANSCHLUß	RACORDO
95/E	RA3408	1	VALVOLA N/RIT MOLLA DURA	NON RETURN VALVE	SOUPAPE DE RETENUE	ABSPERRVENTIL	VALVULA DE RETENCION
95/F	RA3167	1	RACCORDO GOMITO 6X8-1/8F	ELBOW VALVE	RACCORD COUDE	WINKELANSCHLUß	RACORDO „L“
95/G	RA3327	1	TAP. OTTONE C/SONDA 110mm	BRASS CAP +PROBE	BOUCHON LAITON + SONDÉ	MESSINGDECKEL + SONDE	TAPÓN LATÓN + SONDA
95/H	PG51033	1	GUARNIZ. TEFLON Ø33.5X40X2	GASKET	JOINT	DICHTUNG	JUNTA
95/I	RA3187	1	RACCORDO DRITT. 1/8"MX1/8"M	STRAIGHT VALVE	RACCORD	ANSCHLUß	RACORDO
95/L	PE2337	1	ELETTROV. 6650+2 BOBINE 230V	SOLENOID VALVE DOUBLE OUTLET	ÉLECTROVANNE	ELEKTROVENTIL	ELECTROVALVULA
95/M	RA3147	1	RACC. GOMITO 1/8"F-1/8"M	ELBOW VALVE	RACCORD COUDE	WINKELANSCHLUß	RACORDO „L“
95/N	RA3409	1	VALV. N/RIT. MM MOLLA DEBOLE	NON RETURN VALVE	SOUPAPE DE RETENUE	ABSPERRVENTIL	VALVULA DE RETENCION
95/O	RA3147	1	RACC. GOMITO 1/8"F-1/8"M	ELBOW VALVE	RACCORD COUDE	WINKELANSCHLUß	RACORDO „L“
95/P	RA3411	1	VALVOLA 1/8"M 7.5 Bar PGØ9	PRESSURE VALVE 7.5 Bar	SOUPAPE DE SECURITE	SICHERHEITSVENTIL	VALVULA DE SEGURIDAD
95/Q	990047	1	CALDAIA NUDA STEAM TECH	BOILER	CHAUDIERE	DAMPFKESSEL	CALDERA
95/R	PG53002	0.24	TUBO SILIC. TRASP. 6X9	HOSE	TUYAU	SCHLAUCH	TUBO
96	IS4020	1	ISOLANTE CALDAIA	BOILER INSULATION	ISOLANT THERMIQUE	THERM. ISOLIERUNG	AISLADOR THERMICO
96/A	IS4021	1	ISOLANTE CALDAIA	BOILER INSULATION	ISOLANT THERMIQUE	THERM. ISOLIERUNG	AISLADOR THERMICO
97	PG7010	1	UGELLO M + TUBO TEFLON	MALE NOZZLE+STEAM HOSE	BUSE MÂLE+TUBE VAPEUR	DÜSE+DAMPFSCHLAUCH	BOQUILLA+TUBO VAPOR
98	PE2303	1	TERMOSTATO 160° C RIPRIST.	RESET THERMOSTAT	THERMOSTAT MANUEL RESET	RESET THERMOSTAT	TERMOSTATO MANUAL RESET
99	VI7335	1	RONDELLA DENT. INOX Ø20	WASHER INOX Ø20	RONDELLE	SCHEIBE	ARANDELA
100	VI7336	1	RONDELLA PIANA INOX Ø20	WASHER INOX Ø20	RONDELLE	SCHEIBE	ARANDELA
101	VI7203	1	DADO Ø24XL 6X1/2"GAS	NUT 6X1/2" GAS	ÉCROU	MUTTER	TUERCA
102	RA3163	1	TAPPO DREN. 3/8"M FIL. CIL.	DRAIN CAP	BOUCHON DRAINAGE	ABLAßDECKEL	TAPÓN DRENAJE
102/A	PG5107	2	OR 13.94X2.62 NBR NERO	O-RING 13.94X2.62 NBR	JOINT	DICHTUNG	JUNTA
103	RA3201	0.135	TUBO TEFLON Ø6X8	HOSE	TUYAU	SCHLAUCH	TUBO
104	PG5203	1	FASC. STRIK CLX 090-1 7-9	SINGLE EAR CLAMP	COLLIER	SHELLE	ABRAZADERA
105	VI7318	2	ROND. DENTELLATA Ø4	WASHER Ø4	RONDELLE	SCHEIBE	ARANDELA
106	VI7152	1	VITE AUTOF. CR. NERA 3.5X9.5	SCREW CR. 3.5X9.5	VIS	SCHRAUBE	TORNILLO
107	120102	1	CORPO PRESA INFERIORE	BOTTOM SOCKET COVER	CORPS DE PRISE INFERIEUR	UNTERER TEIL STECKER	CUERPO INFERIOR TOMA
108	120101	1	CORPO PRESA SUPERIORE	TOP SOCKET COVER	CORPS DE PRISE SUPERIEUR	OBERER TEIL STECKER	CUERPO SUPERIOR TOMA
109	VI7105	2	VITE RAPID FIX ZN TC 3.9X16	SCREW	VIS	SCHRAUBE	TORNILLO
110	VI7152	4	VITE AUTOF. CR. NERA 3.5X9.5	SCREW CR. 3.5X9.5	VIS	SCHRAUBE	TORNILLO
113	CA1182	1	COFANO ANTERIORE BLU	BLUE FRONT BODY	COFFRE ANTÉRIEUR BLEU	VORDERER TEIL BLAU	PORTE ANTERIOR AZUL
114	VI7190	4	VITE M6X55 ZN "BUTTON HEAD"	SCREW M6X55 ZN "BUTTON HEAD"	VIS	SCHRAUBE	TORNILLO
115	VI7316	4	ROND. GREMB.6X16 ZN SP.1.5	WASHER ZN 6X16	RONDELLE	SCHEIBE	ARANDELA
116	010120	1	MANIGLIA PER COFANO ANT.	FRONT HANDLE	POIGNÉE	HANDGRIFF	MANGO
117	VI7056	2	VITE 6X16 "BUTTON HEAD"	SCREW 6X16 "BUTTON HEAD"	VIS	SCHRAUBE	TORNILLO
118	CA1192	1	MANIGLIA FERRO BASE	CARRYING HANDLE	POIGNÉE DE LA BASE	HANDGRIFF DER BASE	MANGO DE LA BASE
119	AD9030	1	ADESIVO S.T. 4800 COFANO	ROUND STICKER ST.TECH 4800	ADHÉSIF ROND ST. TECH 4800	RUNDER AUFKLEBER ST. T. 4800	ADESIVO REDONDO ST. TECH 4800
120	CA1180	1	CARTER POSTERIORE BLU	BLUE BACK PART BODY	PARTIE POSTÉRIEURE BLEUE	HINTERER TEIL BLAU	PORTE POSTERIOR AZUL
121	PE2133	1	PRESA 10-16A 250V C/S SCHUKO	ELECTRIC SOCKET 16A 250V	PRISE	STECKDOSE	ENCHUFE
122	VI7105	4	VITE RAPID-FIX ZN TC 3.9X16	SCREW ZN 3.9X16	VIS	SCHRAUBE	TORNILLO

123	VI7316	5	ROND. GREMB. 6X16 ZN SP.1.5	WASHER 6X16	RONDELLE	SCHEIBE	ARANDELA
124	VI7190	4	VITE M6X55 ZN "BUTTON HEAD"	SCREW M6X55 "BUTTON HEAD"	VIS	SCHRAUBE	TORNILLO
125	VI70572	1	VITE ZN 6X25 "BUTTON HEAD"	SCREW 6X25 "BUTTON HEAD"	VIS	SCHRAUBE	TORNILLO
126	CA1190	1	MANIGLIONE PER STEAM TECH	HANDLE BAR STEAM TECH	POIGNÉE DE MANOEUVRE	MANÖVRIERGRIFF	MANGO DE MANIOBRA
127	PG5061	2	VOLANTINO M6X30	HAND WHEEL SCREW	VIS DE POIGNÉE	SCHRAUBE FÜR HANDGRIFF	TORNILLO PARA MANGO
128	PG5069B	1	IMBUTO FIL. GOMMA BLU	THREADED FUNNEL	ENTONNOIR	TRICHTER	EMBUDO
129	PG5069G	1	IMBUTO FIL. GOMMA GIALLO	THREADED FUNNEL	ENTONNOIR	TRICHTER	EMBUDO
130	RA3324	2	TAPPO PER IMBUTO EPDM	FUNNEL CAP	BOUCHON	DECKEL	TAPÓN

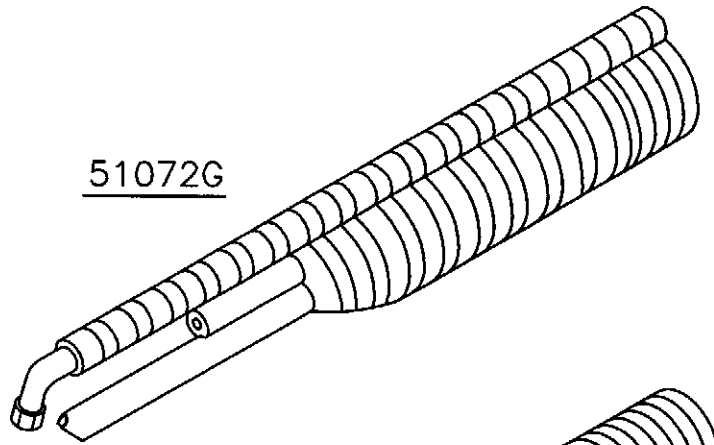
STEAM TECH 4800 230V (cod. 200300)

U.T. 31/07/2002 Rev.1 18/12/2003

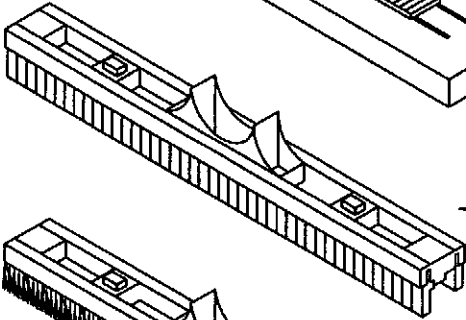
51040G



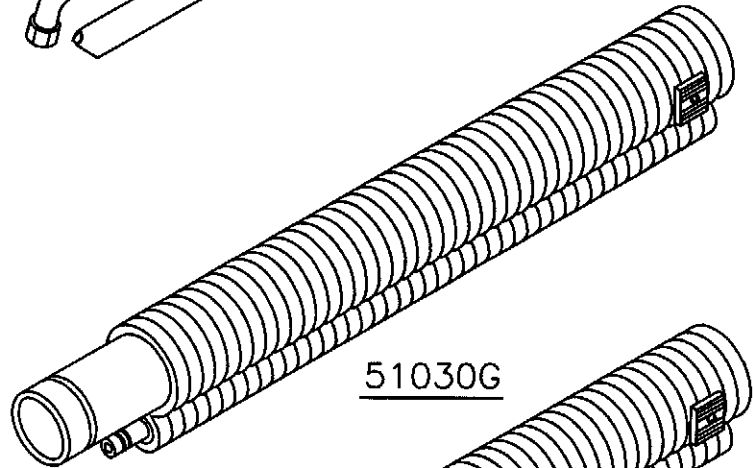
51072G



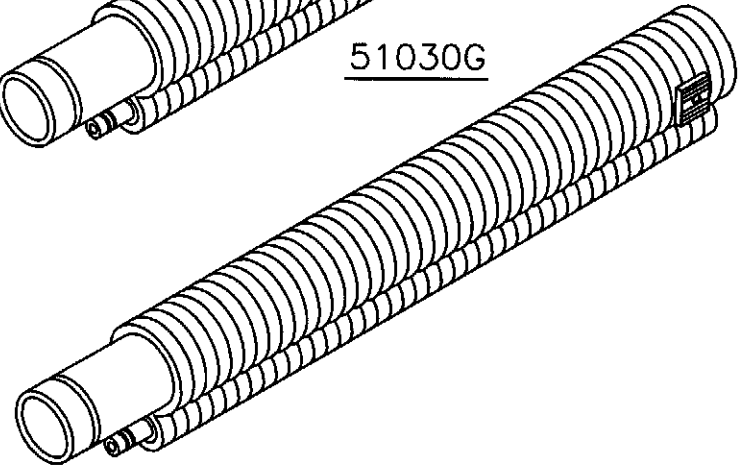
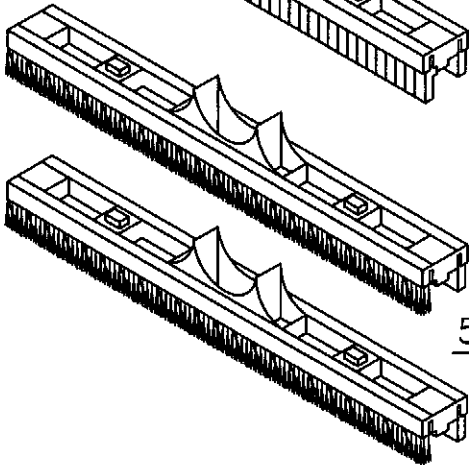
510410



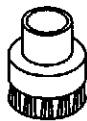
51030G



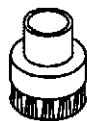
510420



120716



120717



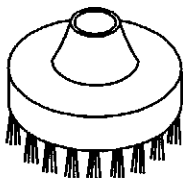
120709



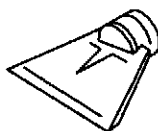
120713



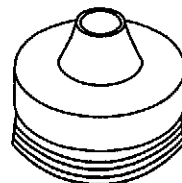
120718



120723



120721



120712

