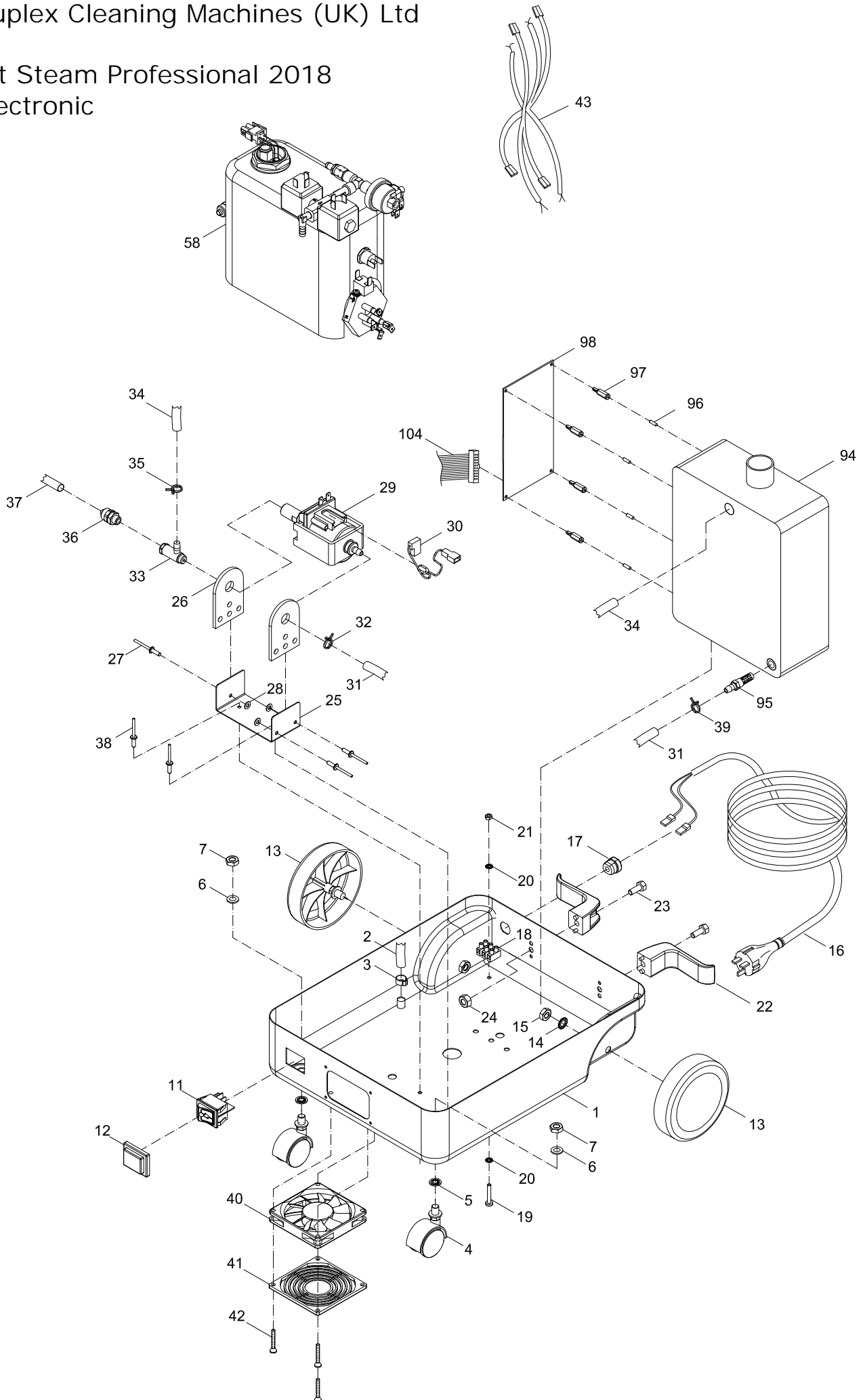
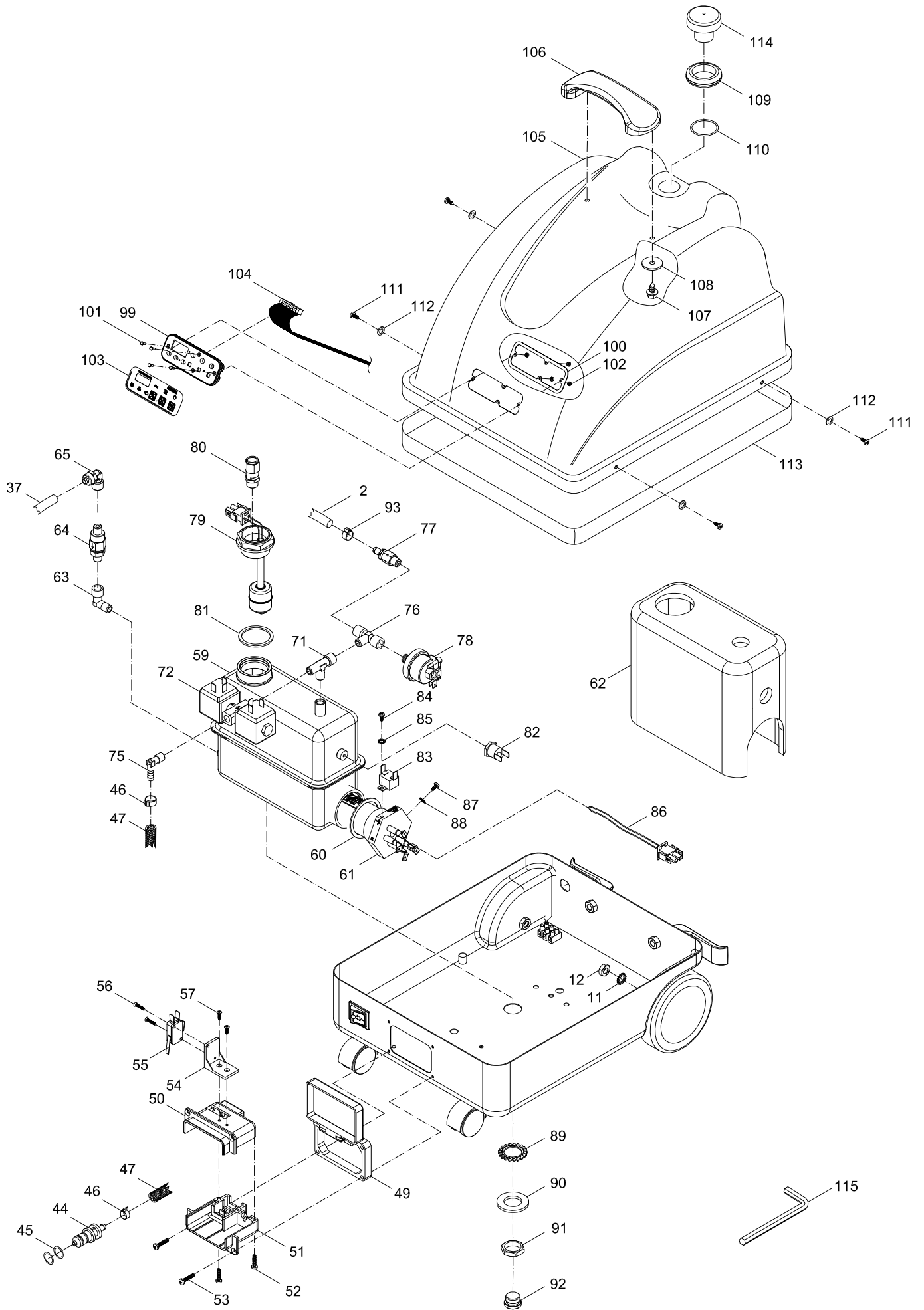


# Duplex Cleaning Machines (UK) Ltd

## Jet Steam Professional 2018 Electronic





**'240V 6bar cod. G028I60 rev.0 12/01/18**

Pos.	Codice	Q.tà	Denominazione	Description
1	CA1161FV1	1	SOTTOBASE GAL GA2 NERA FORATA	BLACK LOWER BODY WITH HOLES FOR GAL
2	PG53002	mt.0,24	TUBO SILICONE TRASPARENTE 6x9	SILICONE TRANSPARENT HOSE 6X9
3	PG5215	1	FASCETTA STRIK MONORECC.8,5-10	CLAMP 8,5-10
4	PG5401	2	RUOTA Ø35 8MAX10 NERA	BLACK WHEEL Ø35 8MAX10
5	VI73069	2	RONDELLA DENTELLATA INT M8 ZN	LOCK WASHER INT M8 ZN
6	VI7329	2	RONDELLA PIANA M8 ZN	FLAT WASHER M8 ZN
7	VI7342	2	DADO M8 ZN UNI5589 ISO4035 UNI EN24035	NUT M8 ZN UNI5589 ISO4035 UNI EN24035
11	PE227R	1	INTERRUTTORE 20A NERO C/LED RETE	20A BLACK POWER SWITCH WITH LED LIGHT
12	PG5021	1	CAPPUCCIO QUADRATO GRANDE	SWITCH PROTECTION
13	PG5407	2	RUOTA Ø100 8MAX10 NERA	BLACK WHEEL Ø100 8MAX10
14	VI7306	2	RONDELLA DENTELLATA EST M8 ZN	LOCK WASHER EXT M8 ZN
15	VI7342	2	DADO M8 ZN UNI5589 ISO4035 UNI EN24035	NUT M8 ZN UNI5589 ISO4035 UNI EN24035
16	PE2179	1	CAVO SEZ. 3x1,5 mt.4 INGLESE	POWER CORD 3x1,5 mt.4
17	PR00003	1	PRESSACAVO PLASTICA SR6N3-4 N	PLASTIC STRAIN RELIEF SR6N3-4 N
18	PE20110	2	MORSETTIERA MAMMUTH 10mmq	TERMINAL BOARD MAMMUTH 10mmq
19	VI71752	1	VITE TC TC M4x25 INOX	SCREW TC TC M4x25 INOX
20	VI73184	2	RONDELLA DENTELLATA EST M4 INOX	LOCK WASHER EXT M4 ST.STEEL
21	VI72125	1	DADO M4 INOX UNI5588 ISO4032 UNI EN24032	NUT M4 INOX UNI5588 ISO4032 UNI EN24032
22	010108	2	MEZZA MANIGLIA NERA	CABLE SUPPORT - BLACK HALF HANDLE
23	VI7118	2	VITE 8.8 TE M6x16 ZN	SCREW 8.8 TE M6x16 ZN
24	VI7201	2	DADO M6 ZN UNI5588 ISO4032 UNI EN 24032	NUT M6 ZN UNI5588 ISO4032 UNI EN 24032
25	RA3056	1	STAFFA SUPPORTO POMPA	PUMP SUPPORTING BRACKET
26	PE2405	2	SUPPORTO AMMORTIZZANTE ET500/8	ANTIVIBRATION SUPPORT ET500/8
27	VI7022	3	RIVETTO ACCIAIO INOX Ø4x12 UNI9200A	ST. STEEL RIVET Ø4x12 UNI9200A
28	VI7314	3	RONDELLA GREMBIALINA M4 (4.3x12) ZN	WASHER M4 (4.3x12) ZN
29	PE2404	1	POMPA ET500 P-1/8"F NBR 230V 50Hz	PUMP ET500 P-1/8"F NBR 230V 50Hz
30	PE2408	1	TERMOPROTEETTORE 100°C L.95mm COMPLETO	THERMAL PROTECTOR 100°C L.95mm COMPLETE
31	PG53002	mt.0,205	TUBO SILICONE TRASPARENTE 6x9	SILICONE TRANSPARENT HOSE 6X9
32	PG5247	1	FASCETTA BIFILIARE 9,8-10,4	CLAMP 9,8-10,4
33	PE2415	1	DEAREATORE PER POMPA	PUMP BLEEDER VALVE
34	PG53002	mt.0,29	TUBO SILICONE TRASPARENTE 6x9	SILICONE TRANSPARENT HOSE 6X9
35	PG5247	1	FASCETTA BIFILIARE 9,8-10,4	CLAMP 9,8-10,4
36	RA3183	1	RACCORDO DIRITTO 1/8"M - 8x6 CALZ	STRAIGHT FITTING 1/8"M - 8x6 CALZ
37	RA3201	mt.0,135	TUBO TEFLON Ø8x6	TEFLON HOSE Ø8x6
38	VI7022	2	RIVETTO ACCIAIO INOX Ø4x12 UNI9200A	ST. STEEL RIVET Ø4x12 UNI9200A
39	PG5247	1	FASCETTA BIFILIARE 9,8-10,4	CLAMP 9,8-10,4
40	PE40006	1	VENTOLA RAFFREDDAMENTO 80x80x15 12V CC	COOLING FAN 80x80x15 12V CC
41	PE40016	1	GRIGLIA PROTEZIONE X VENTOLA 80x80 PLA	PROTECTION GRID FOR THE FAN 80x80 PLA
42	VI74016	3	VITE TSEI 4x30 ZN NERA UNI5933 DIN7991	SCREW TSEI 4x30 ZN NERA UNI5933 DIN7991
43	PEG9000	1	CABLAGGIO GAL 24/7 2400W 230V 50Hz	WIRING FOR GAL 24/7 2400W 230V 50Hz
44	UG0002	1	UGELLO ROTONDO MASCHIO FV PG 6,5 (REV.2)	ROUND MALE NOZZLE FV PG 6,5 (REV.2)
45	PG5142	2	OR 9,25x1,78 VITON NERO	BLACK VITON O-RING 9,25X1,78
46	PG52505	2	FASCETTA CLIC 10,5-12/6 (100-BIANCA)	CLAMP 10,5-12/6 (100-WHITE)
47	PG53015	mt.0,205	TUBO SILICONE TRASP. TELATO INOX Ø10x4,5	SILICONE TRANSPARENT HOSE W/ST. STEEL Ø10X4,5
49	PP0008	1	SPORTELLO COPRI PRESA COMPLETO	COMPLETE FLAP COVER FOR STEAM SOCKET
50	120101	1	CORPO PRESA SUPERIORE	STEAM SOCKET - TOP SIDE
51	120102	1	CORPO PRESA INFERIORE	STEAM SOCKET - BOTTOM SIDE
52	VI7105	2	VITE TC TC 3,9x16 RAPID FIX NERA	BLACK SCREW TC TC 3,9x16 RAPID FIX
53	VI7341	4	VITE AUTOF. TC TC 3,9x19 ZN NERA UNI6954	BLACK SELF-TAPPING SCREW TC TC 3,9x19 ZN UNI6954
54	PG5062	1	STAFFA PORTA MICROINTERRUTTORE	MICROSWITCH SUPPORTING BRACKET
55	PE2209	1	MICROINTERRUTTORE 16A 250V T125°C	MICROSWITCH 16A 250V T125°C
56	VI7122	2	VITE AUTOF. 2,9x16 Ni UNI6954 DIN7981	SELF-TAPPING SCREW 2,9x16 Ni UNI6954 DIN7981
57	VI71145	2	VITE AUTOFIL. TSC TORX 2,9x11 UNI6956	SELF-TAPPING SCREW TSC TORX 2,9x11 UNI6956
58	090G860	1	CALDAIA COMPL. GAL 3000W 240V 6bar	COMPLETE BOILER GAL 3000W 240V 6bar
59	990G860	1	CALDAIA C/RES. L.1.5 GAL 6bar 3000W 240V	BOILER WITH HEATING ELEMENT L.1.5 GAL 6bar 3000W 230V
60	PG5139	1	GUARNIZIONE ALLUMINIO Ø42x50x1,5	ALUMINUM GASKET Ø42x50x1,5
61	PE2547F	1	RESISTENZA 240V 3000W	HEATING ELEMENT 240V 3000W
62	IS4006	1	ISOLANTE PROTEZIONE CALDAIA 1.5 lt GAL	BOILER PROTECTION/INSULATION 1,5lt GAL
63	RA3147	1	RACCORDO GOMITO 1/8"F - 1/8"M	ELBOW JOINT 1/8"F - 1/8"M
64	RA3408	1	VALVOLA N/RITORNO MM MOLLA DURA	NON-RETURN VALVE MM HARD SPRING
65	RA3167	1	RACCORDO GOMITO 1/8"F CALZ - 8x6	ELBOW JOINT 1/8"F - 8X6
71	RA3103	1	RACCORDO A T 1/8"M-1/8"M-1/8"F	T JOINT 1/8"M-1/8"M-1/8"F
72	PE2337	1	ELETTROV. 6650+2 BOBINA 230V 1x1,5-1x2,5	SOLENOID VALVE 6650+2 COIL 230V 1x1,5-1x2,5
75	RA3037	1	PORTAGOMMA 7 1/8" MASCHIO 90°	HOSE BARB 7 1/8" MALE 90°
76	RA3132	1	RACCORDO A T 1/8"F-1/8"M-1/8"F (REV.0)	T JOINT 1/8"F-1/8"M-1/8"F (REV.0)
77	RA34119	1	VALVOLA 1/8"M 7,5bar PG Ø7 SCAND.	SECURITY VALVE 1/8"M 7,5bar PG Ø7
78	PE2411	1	PRESSOSTATO 16A 250V 4-9bar 1/8"M	PRESSURE SWITCH 16A 250V 4-9bar 1/8"M
79	RA33217	1	TAPPO OTTONE C/SONDA C.L.mm104+SIC.12bar	BRASS CAP LVL CONT. FLOAT C.L.mm104+SAFETY VALVE 12bar

80	RA34064	1	VALVOLA SIC. 97/23CE > 50 12bar 1/4"M	SAFETY VALVE 97/23CE >50 12 bar 1/4"M
81	PG51033	1	GUARNIZIONE TEFLON Ø33,2x40x2	TEFLON GASKET Ø33,2x40x2
82	PE2303	1	TERMOSTATO 165°C RIPRISTINO M4	RESET THERMOSTAT 165 °C M4
83	PE23446	1	TERMOSTATO 235°C R.M.	THERMOSTAT 235°C - MANUAL RESET
84	VI7130	1	VITE AUT. TC TC 3,5x9,5 Ni	SELF-TAPPING SCREW TC TC 3,5x9,5 Ni
85	VI7318	1	RONDELLA DENTELLATA EST M4 ZN	LOCK WASHER EXT M4 ZN
86	SH20511	1	SONDA TEMPERATURA NTC 100k L.200	TEMPERATURE PROBE NTC 100k L.200
87	VI7130	1	VITE AUT. TC TC 3,5x9,5 Ni	SELF-TAPPING SCREW TC TC 3,5x9,5 Ni
88	VI7318	1	RONDELLA DENTELLATA EST M4 ZN	LOCK WASHER EXT M4 ZN
89	VI7335	1	RONDELLA DENTELLATA M20 INOX DIN6798A	LOCK WASHER M20 ST.STEEL DIN6798A
90	VI7336	1	RONDELLA M20 INOX UNI6592 DIN125A	WASHER M20 ST.STEEL UNI6592 DIN125A
91	VI7203	1	DADO 1/2"G CH.24xL.6 OTTONE	NUT 1/2"G CH.24xL.6 BRASS
92	RA3163	1	TAPPO DRENAGGIO 3/8"M FILETT.CIL. C/OR	DRAIN CAP 3/8"M FILETT.CIL. W/GASKET
93	PG5209	1	FASCETTA STRIK MONO.9 -11	CLAMP 9 - 11
94	SB0216F	1	SERBATOIO ACQUA GAL NEW FORATO	WATER TANK WITH HOLES FOR NEW GAL
95	RA3140	1	PORTAGOMMA C/FILTRO IN OTTONE	TUBE COUPLER WITH BRASS FILTER
96	VI70137	3	GRANO M3x10 INOX UNI5923 DIN913 ISO4026	PIN M3x10 INOX UNI5923 DIN913 ISO4026
97	PG5064	3	DISTANZIALE FILETTATO M3 L.15 C/GANCIO	THREADED SPACER M3 L.15 WITH HOOK
98	PE65G26	1	SCHEDA GAL UNITA' POTENZA + CPU 6 bar	ELECTRONIC BOARD GAL POWER UNIT+CPU 6 bar
99	PE64G10	1	SCHEDA GAL UNITA' CONTR COMPL	COMPLETE CONTROL PANEL FOR GAL
100	CA02160	1	STAFFA TENUTA PANNELLO FRONTALE GAL	SUPPORTING BRACKET FOR GAL FRONT CONTROL PANEL
101	VI71323	4	VITE TE M3x12 INOX UNI5739 DIN933	SCREW TE M3x12 INOX UNI5739 DIN933
102	VI71452	4	DADO M3 INOX A2 AUTOBL. UNI7473 DIN982	SELF-BLOCKING NUT M3 INOX A2 UNI7473 DIN982
103	AD90100	1	ADESIVO PANNELLO COMANDI	CONTROL PANEL STICKER
104	PE2033G	1	FLAT CABLE 20P GAL L.560	FLAT CABLE 20P GAL L.560
105	CA117A7	1	BASE GAL GA1 BLU AUTOESTINGUENTE FORATA	BLUE SELF-EXTINGUISHING TOP BODY WIT HOLES FOR GAL
106	010105	1	MANIGLIA NERA GRANDE PIATTA	BLACK BIG FLAT HANDLE
107	VI7167	2	VITE F/R TE 6,3x13-14x1/2 ZN UNI6950	SCREW F/R TE 6,3x13-14x1/2 ZN UNI6950
108	VI7320	2	RONDELLA GREMBIALINA 6x24 ZN	WASHER 6X24 ZN
109	PG5339	1	PASSATUBO TAPPO Ø46x38x11	RUBBER MOUTHPIECE Ø46x38x11
110	PG5123	1	OR 29,82x2,62 SILICONE ROSSO	RED SILICONE GASKET 29,82x2,62
111	VI7101	4	VITE TORX ACCIAIO TC 3,5x9,5-7x3/8	ST.STEEL SCREW TORX TC 3,5x9,5-7x3/8
112	VI7325	4	RONDELLA PIANA M4 ZN UNI6592 DIN125	FLAT WASHER M4 ZN UNI6592 DIN125
113	PG5314	1	PARABORDO GOMMA L.110 cm	BUMPER L.110 cm
114	RA3313	1	TAPPO SERBATOIO ACQUA GAL NYLON	NYLON WATER TANK CAP FOR GAL
115	VI90005	1	CHIAVE MASCHIO ESAG. MM8 (DA DOTAZIONE)	MM8 HEXAGONAL MALE KEY FOR BOILER DRAINAGE (INCL.)