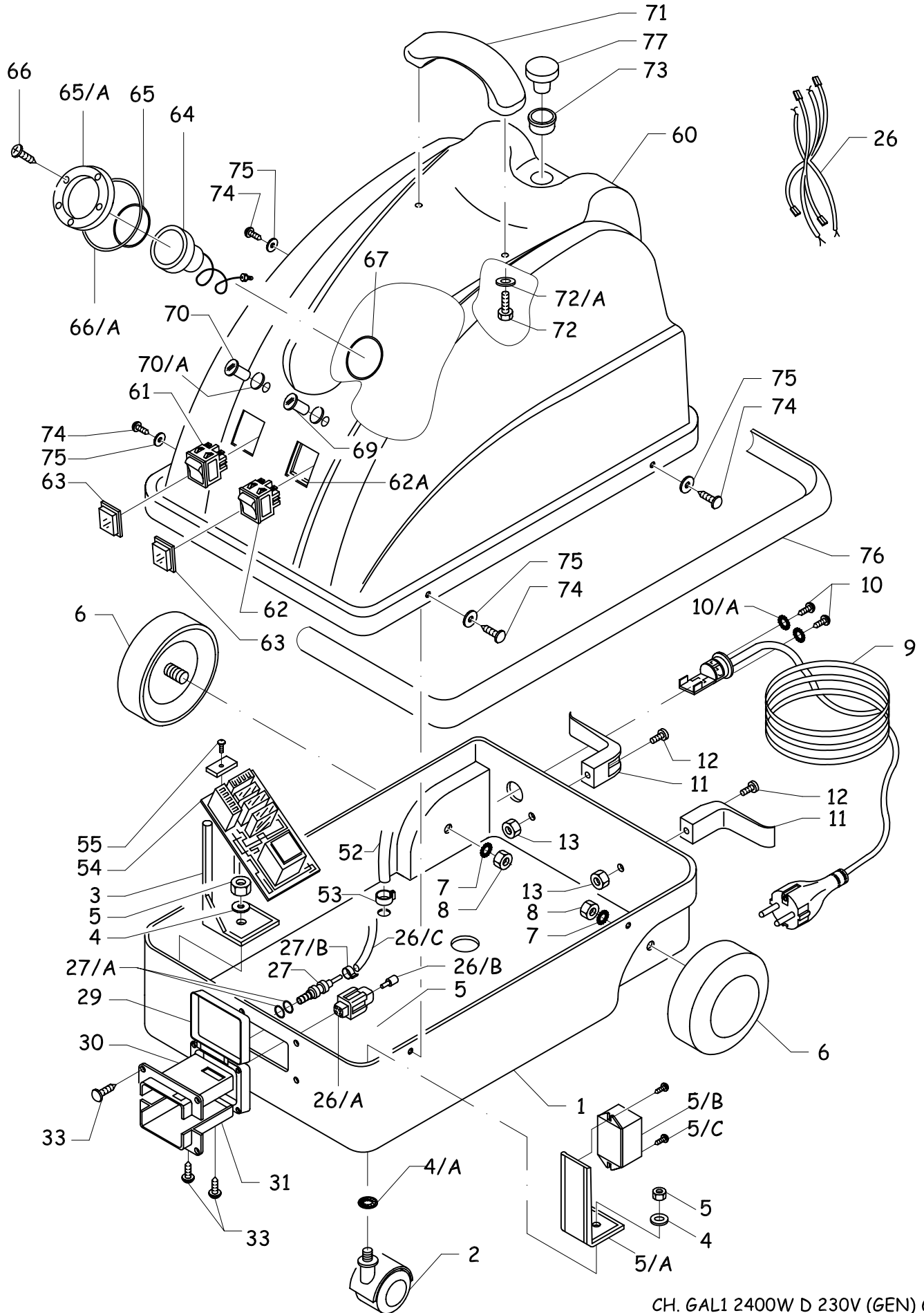


# TECNOVAP



CH. GAL1 2400W D 230V (GEN) 6bar  
 cod. 0216009 U.T. 16/03/11 Rev. 0



Pos.	Codice	Q.tà	Denominazione	Denomination
<b>CH. GAL1 2400W D 230V (GEN) 6bar cod. 0216009 rev.0 16/03/11</b>				
1	CA1161F	1	SOTTOBASE GAL GA2 NERA FORATA	CHASSIS GAL
2	PG5401	2	RUOTA Ø35 8MAX10 NERA	WHEEL ø35
3	PG5034	1	STAFFA PORTASCHEDA	MOUNT BASE
4	VI7329	2	RONDELLA PIANA ZN M8	WASHER
4/A	VI73069	2	RONDELLA DENTELLATA INTERNA ZN Ø8	TOOTHED WASHER
5	VI7342	2	DADO M8 UNI 5589 ZN	NUT
5/A	PG5034	1	STAFFA PORTASCHEDA	MOUNT BASE
5/B	PE20526	1	TRASFORMATORE 6VA 230V/12 C.C.	TRANSFORMER 6VA 230V/12 C.C.
5/C	VI7103	2	VITE KF NICH. 3,5X6,5-6X1/4	SCREW 3.5X6.5 6X1/4
6	PG5407	2	RUOTA Ø100 8MAX10 NERA	WHEEL ø100
7	VI7306	2	RONDELLA DENTELLATA ZN Ø8	WASHER
8	VI7202	2	DADO ZINCATO M8	NUT
9	PE2107	1	CAVO SEZ. 3X1,5 M5 S/SCHUKO C/PA84	SUPPLY WIRING
10	VI7101	2	VITE TORX ACCIAIO 3.5X9.5 7X3/8	SCREW
10/A	VI7319	2	RONDELLA DENTELLATA ZN Ø3	TOOTHED WASHER
11	010108	2	MEZZA MANIGLIA NERA	HANDLE
12	VI7118	2	VITE 8.8 TE ZN M6X16	SCREW
13	VI7201	2	DADO ZINCATO M6	NUT
13A	PE40006	1	VENTOLA RAFFREDDAMENTO	COOLING FAN
13B	PE40016	1	GRIGLIA PROTEZIONE VENTOLA	PROTECTION GRILL FOR FAN
13C	VI74016	3	VITE TSEI M4x30 ZN NERA	SCREW M4X30
14	RA3056	1	STAFFA SUPP. POMPA COMPL.	MOUNT BASE
17	PE2404	1	POMPA ET500- 1 1/8' F NBR 230 V / 50 Hz	PUMP
19	PE2408	1	TERMOPROTETTORE 100°C	THERMAL CUT OUT 100° C
20	PE2415	1	DEAREATORE PER POMPA	BLEEDER VALVE FOR PUMP
21	RA3183	1	RACCORDO DIRITTO 6X8 1/8'M	STRAIGHT VALVE
22	RA3201	mt. 0.135	TUBO TEFLON Ø6X8 L.135mm	HOSE
23	RA53002	mt. 0.29	TUBO SILICONE TRASP. Ø6X9 L.290mm	HOSE
24	RA53002	mt. 0.205	TUBO SILICONE TRASP. Ø6X9	HOSE
25	PG5247	3	FASCETTA BIFILARE 9.8-10.4	CLAMP 9.8-10.4
26	PE20337V1	1	CABLAGGIO CH.GAL C/MANOM. CONTAORE	COMP. WIRING
26/A	PE2177	1	FRUTTO PRESA 7P+T	PLUG BODY
26/B	PE2012	6	CONTATTO FEMMINA 10A	CONTACT PIN
26/C	PG53015	mt. 0.2	TUBO SILICONE TRASP. TELATO INOX	HOSE Ø6X8
27	UG0002	1	UGELLO ROTONDO MASCHIO FV PG 6,5	MALE NOZZLE
27/A	PG5142	2	OR 9,25 X 1,78 VITON NERO	O-RING
27/B	PG52505	2	FASCETTA CLIC 10,5-12/6 (100-BIANCA)	CLAMP 10,5-12/6
28	RA3037	1	PORTAGOMMA 7 1/8" MASCHIO 90°	ELBOW TUBE COUPLER
29	PP0008	1	SPORTELLLO COPRIPRESA COMPLETO	SOCKET PROTECTION COVER
30	120101	1	CORPO PRESA SUPERIORE	TOP SOCKET COVER
31	120102	1	CORPO PRESA INFERIORE	BOTTOM SOCKET COVER
32	VI7105	2	VITE RAPID FIX ZN TC 3.9X16	SCREW
33	VI7341	4	VITE AUT. ZN NERA TC 3.9X19	SCREW
34	0900319	1	CALDAIA COMPLETA GAL 2400W 230V	COMPLETE BOILER
34/A	PE25237	1	RESIST. 230V 1200+1200W 1"1/4 COMPLETA	HEATING ELEM. 2400W 230V
34/B	PG5139	1	GUARNIZIONE ALLUMINIO Ø42X50X1.5	HEATING ELEM. GASKET
34/C	RA3147	1	RACCORDO A GOMITO 1/8'FX1/8'M	ELBOW VALVE
34/D	PE2337	1	ELETT.6650+ 2 BOBINE 230V 1x1.5 1x2.5	SOLENOID VALVE
34/E	RA34119	1	VALVOLA 1/8"M 7,5bar PGØ7 SCAND.	PRESSURE VALVE 7,5 Bar
34/F	PE2411	1	PRESSOSTATO 16A 250V 4-9bar	PRESSURE SWITCH 4-9 bar
34/G	RA3147	1	RACCORDO A GOMITO 1/8'FX1/8'M	ELBOW VALVE
34/H	RA3408	1	VALVOLA NON RITORNO MOLLA DURA	NON RETURN VALVE
34/I	RA3167	1	RACCORDO A GOMITO 6X8 1/8'F	ELBOW VALVE
34/L	RA33217	1	TAPPO OTTONE C/SONDA 104mm+12bar	BRASS CAP +PROBE
34/M	9900317V1	1	CALDAIA C/RES. L.1,5 GAL 2400W 1"1/4	BOILER W/HEATING ELEMENT
34/N	PG51033	1	GUARNIZIONE TEFLON Ø33X40X2	GASKET
34P	RA3103	1	RACCORDO A T 1/8"MX1/8"MX1/8"F	3-WAYS VALVE 1/8MMF
35	VI7203	1	DADO CH.24XL.6X1/2 GAS OTTONE	NUT
36	VI7335	1	RONDELLA DENTELLATA INOX Ø20	TOOTHED WASHER
37	VI7336	1	RONDELLA PIANA INOX Ø20	WASHER

38	RA3163	1	TAPPO DRENAGGIO 3/8" M	DRAIN CAP
40	PG51164	1	OR 2056 14.00x1.78 NBR NERO	O-RING
42	PE2303	1	TERMOSTATO 160° RIPRISTINO	RESET THERMOSTAT
43	IS4006	1	PROTEZIONE CALDAIA GAL	BOILER INSULATION
44	VI7130	1	VITE AUT. NICH. TC 3.5X9.5	SCREW
45	VI7318	2	RONDELLA DENTELLATA Ø4	TOOTHED WASHER
46	RA3140	1	PORTAGOMMA CON FILTRO IN OTTONE	ELBOW TUBE COUPLER
47	CA1224	1	SERBATOIO ACQUA FREDDA GAL	WATER TANK GAL
48	PE2245	1	INTERRUTTORE REED GALLEGGIANTE	REED SWITCH FLOAT
49	PE2340	1	TERMOSTATO 240°C A BULBO	THERMOSTAT
50	VI7121	2	VITE M4X6 TC	SCREW
51	VI7318	2	RONDELLA DENTELLATA Ø4	TOOTHED WASHER
52	PG53002	mt. 0.27	TUBO SILICONE TRASPARENTE 6x9 L.290mm	HOSE
53	PG5209	2	FASCETTA STRIK MONOREC. 9.5-11	CLAMP
54	PE2345	1	SCHEDA COMANDO BT 230V, TVAP 10/3 GAL	ELECTRONIC BOARD
55	VI7152	1	VITE AUTOFIL. TC TC CROM. NERA 3,5X9,5	SCREW
56	PG5062	1	STAFFA PORTA MICROINTERRUTTORE	MOUNT BASE
57	PE2209	1	MICROINTERRUTTORE 16A 250V 125°C	MICROSWITCH
58	VI7122	2	VITE AUT. ZN. B. TS. 2.9X16	SCREW
59	VI7114	2	VITE AUT. BR. TGS. 2.9X9.5	SCREW
60	CA116A7	1	BASE GAL GA1 BLU AUTOESTINGUENTE	PLASTIC BODY COVER
61	PE227R	1	INTERRUTTORE 16A NERO C/LED RETE	SWITCH 16A
62	PE227C	1	INTERRUTTORE 16A NERO C/LED CALD	SWITCH 16A
62A	RA3057	2	STAFFA PER INTERRUTTORE GAL	SWITCH BRACKET GAL
63	PG5021	2	CAPPUCCIO QUADRATO GRANDE	RUBBER SWITCH COVER
64	PE24016	1	TERMOMETRO/CONTAORE COMPL.	HOURLY METER
65	PG5115	1	OR 34.65X1.78 NBR NERO	O-RING 34,65X1,78
65/A	1200117V1	1	CORNICE TERMOMETRO DIGITALE NERA	THERMOMETER FRAME
66	VI7105	5	VITE RAPID FIX ZN.TC.3,9X16 NERA	SCREW 3,9X16
67	PG5123	1	OR 29,82X2,62 SILICONE ROSSO	O-RING
69	PE221S7	1	SPIA LUMINOSA ROSSA F/D SERIG.	RED INDICATOR LIGHT
70	PE222S7	1	SPIA LUMINOSA VERDE F/D SERIG.	GREEN INDICATOR LIGHT
70/A	PG5106	2	OR 9,25X1,78 NBR GRIGIO RAL7035	O-RING
71	010105	1	MANIGLIA NERA GRANDE PIATTA	BLACK HANDLE
72	VI7167	2	VITE F/R TE ZN 6.3X13 14X1/2	SCREW
72/A	VI7320	2	RONDELLA GREMBIULINA ZN 6X24	WASHER
73	PG5339	1	PASSATUBO TAPPO Ø46X38X11 GAL	FAIRLEAD
74	VI7101	4	VITE KF NICH. TORX 3.9X9.5 7X3/8	SCREW
75	VI7325	4	RONDELLA PIANA ZN Ø4	WASHER
76	PG5314	1	PARABORDO IN GOMMA L.110	BUMPER
77	RA3313	1	TAPPO SERBATOTIO ACQUA GAL	CAP